



BISON

400L/400XL

OWNER'S/OPERATOR'S

MANUAL

WARNING :

Read this Manual, and any Supplements Carefully Before Operating Vehicle.

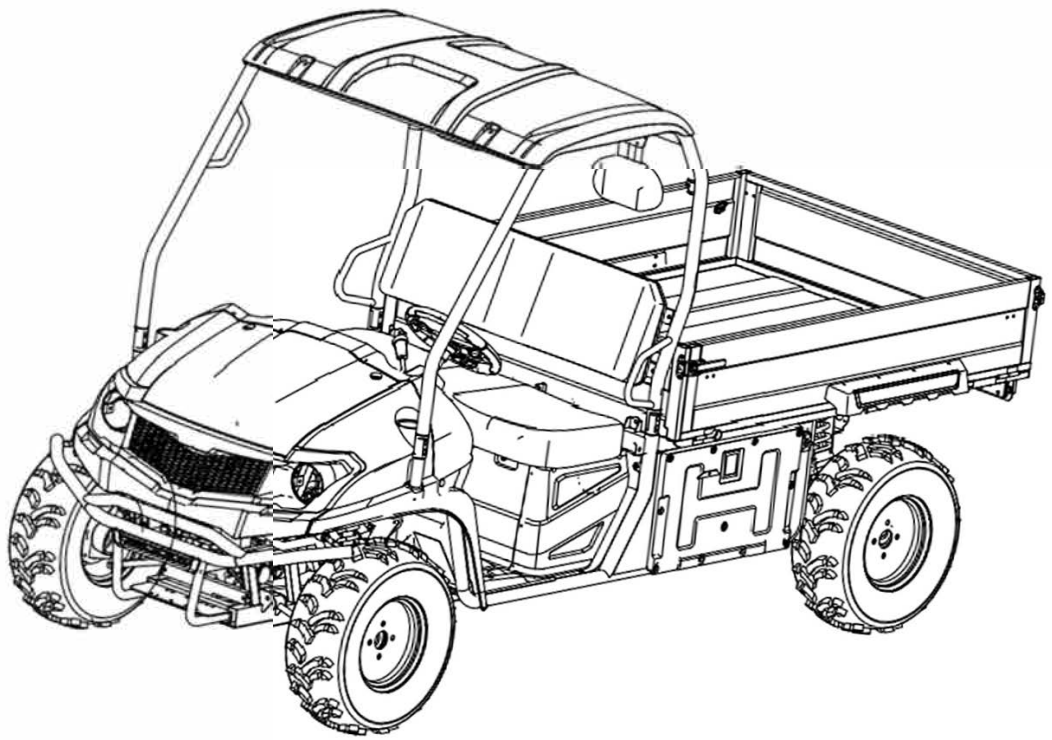
- Assembly
- Operation
- Maintenance

THIS VEHICLE IS NOT DESIGNED FOR USE ON RENTAL TRACKS OR RACING

BEFORE OPERATING THIS VEHICLE, THE OWNER AND EACH OPERATOR MUST HAVE READ AND HAVE AN UNDERSTANDING OF ALL THE INSTRUCTIONS FOR PROPER ASSEMBLY AND SAFE OPERATION, AS WELL AS THE INSTRUCTIONS CONCERNING THE ENGINE AND ALL OTHER PORTIONS OF THE VEHICLE.

NOTE: A storage area/toolbox has been provided on the UTV for storage of this manual.

Please keep this manual in the storage box so that it can be found easily and referenced when needed.



CONTENTS

1.INTRODUCTION.....	1.1
2.UNDERSTANDING WARNINGS.....	2.1
3.SAFETY WARNINGS.....	3.1
4.DAILY PRE-RIDE INSPECTIONS.....	4.1
5.OPERATION WARNINGS.....	5.1
6.VIN NUMBER / ENGINE NUMBER.....	6.1
7.CONTROLS AND FUNCTIONS.....	7.1
8.STARTING THE ENGINE.....	8.1
9.BREAK-IN.....	9.1
10.RIDING GEAR.....	10.1
11.TOWING/LOADING.....	11.1
12.CVT SYSTEM.....	12.1
13.EXHAUST SYSTEM.....	13.1
14.BATTERY.....	14.1
15.TROUBLE SHOOTING.....	15.1
16.SPECIFICATIONS.....	16.1
17.ELECTRICAL DIAGRAM.....	17.1
18.MAINTENANCE.....	18.1
19.EMISSIONS CONTROL SYS. WARRANTY... 	19.1

1. INTRODUCTION

Introduction

Congratulations on the purchase of your Utility Task Vehicle (UTV). We take pride in offering you this product engineered and manufactured to the highest performance and quality standards. We are sure that you will enjoy superior levels of performance, reliability, riding comfort, and safety.

This manual is provided to help the owner and operators of this UTV become familiar with the operating characteristics, and the many features offered on the UTV. The manual also covers information on the care and maintenance of your UTV.

Please read this manual carefully. The information contained in this Owner's Manual and the Warning Labels supplied with this product will help you to understand the safe use and maintenance of your UTV. Make sure that you understand and follow all Warnings and Instructions in this manual.

If you did not receive any of the material listed above, please call your dealer and request to have it sent to you.

Product and specifications are subject to change without notice.

1. INTRODUCTION

Important Safety Notice

- This vehicle is designed and manufactured for off-road use only. It is illegal to operate this vehicle on any public street, road, or highway. Such use is prohibited by law.
- Check the local laws and regulations before choosing where to operate this vehicle. It is illegal to operate this vehicle on public lands where vehicles its size are prohibited.
- Never make any modifications to the engine, drive system, mechanical or electrical systems of your UTV. Never install aftermarket parts or accessories intended to increase the speed or power of your UTV.
- Failure to follow these warnings increases the possibility of accidents leading to DEATH or SERIOUS INJURY!
- Additionally, failure to follow these requirements will void the Warranty on your UTV.

NOTE

The addition and use of certain accessories including, (but not limited to) mowers, blades, sprayers, winches and windshields will change the handling characteristics and the performance of your UTV.

Practice Responsible UTV Riding

Make sure that you understand and follow all local, state/province, and federal/national riding laws and requirements.

Remember: Respect your vehicle, respect the environment and respect the property of others. You are responsible for your safety and the safety of others around you when you ride!

1. INTRODUCTION

A UTV CAN BE HAZARDOUS TO OPERATE.

A UTV handles differently from other vehicles including motorcycles, ATVs and cars. A rollover can occur quickly, even during routine maneuvers such as turning and driving on hills or over obstacles, if you fail to take proper precautions.



SERIOUS INJURY OR DEATH

can result if you do not follow these instructions.

- Read this manual and all labels carefully and follow the operating procedures described.
- This vehicle is designed to carry the driver and one passenger. Never carry passengers in the cargo bed.
- Always be sure the driver and passenger are wearing seat belts.
- Never allow anyone who is not an adult operate this UTV.
- Never permit a guest to operate this UTV unless the guest has read this manual and all of the product labels.
- The driver and passenger must wear approved off-road motorcycle -type helmets that fit properly. The driver and passenger should also wear eye protection (glasses or face shields), gloves, boots, a long-sleeved shirt or jacket, and long pants.
- As with any off-road-capable vehicle, there is a risk of tip over or rollover under certain conditions. Uneven terrain or slopes which pitch the vehicle sideways, turning too fast or sharp, or a combination of conditions increase the risk of tip over.

If you are in a situation where the vehicle is tipping over, do not put your arm and/or leg outside the vehicle, do not try to stop tipping with your arm or leg. You could be severely injured. You could suffer a crushed hand, arm, leg, or foot, if part of your body is caught underneath the vehicle.

You must keep your arms and legs inside the vehicle until it has stopped moving.

- Never consume alcohol or drugs before or while operating this UTV.
- Never operate at excessive speeds. Always travel at a speed which is proper for the terrain, visibility and operating conditions, and your experience.
- Never attempt wheelies, jumps or other stunts.
- Always inspect your UTV each time you use it to make sure it is in

1. INTRODUCTION

a safe operating condition. Always follow the inspections, maintenance procedures and schedules described in this manual.

- Always keep both hands, arms, feet, and legs inside the vehicle at all times during operation. Keep your feet on the floorboard. Never hold onto the enclosure except when using the handgrip inside the enclosure. Otherwise, your hand could be injured if it is caught between the enclosure and an obstacle outside the vehicle.
- Always keep both hands on the steering wheel when driving.
- Never wrap your thumbs and fingers around the steering wheel. This is particularly important when driving in rough terrain. The front wheels will move right and left as they respond to the terrain, and this movement will be felt in the steering wheel. A sudden jolt could wrench the steering wheel around, and your thumbs or fingers could be injured if they are in the way of the steering wheel spokes.
- Always go slowly and be extra careful when operating on unfamiliar terrain. Always be alert to changing terrain conditions when operating the UTV.
- Never operate on excessively rough, slippery or loose terrain.
- Always follow proper procedures for turning as described in this manual. Practice turning at low speeds before attempting to turn at faster speeds. Do not turn at excessive speed.
- Always have the UTV checked by an authorized dealer if it has been involved in an accident.
- Never operate the UTV on hills too steep for the UTV or for your abilities. Practice on smaller hills before attempting larger hills.
- Always follow proper procedures for climbing hills as described in this manual. Check the terrain carefully before you start up any hill. Never climb hills with excessively slippery or loose surfaces. Never open the throttle suddenly or make sudden gear changes. Never go over the top of any hill at high speed.
- Always follow proper procedures for going down hills and for braking on hills as described in this manual. Check the terrain carefully before you start down any hill. Never go down a hill at high speed. Avoid going down a hill at an angle which would cause the vehicle to lean sharply to one side. Go straight down the hill where possible.
- Always follow proper procedures for crossing the side of a hill as described in this manual. Avoid hills with excessively slippery or loose surfaces. Never attempt to turn the UTV around on any hill.

1. INTRODUCTION

Avoid crossing the side of a steep hill if possible.

- Always use proper procedures if you stall or roll backwards when climbing a hill. To avoid stalling, maintain a steady speed when climbing a hill. If you stall or roll backwards, follow the special procedure for braking described in this manual.
- Always check for obstacles before operating in a new area. Never attempt to operate over large obstacles, such as large rocks or fallen trees. Always follow proper procedures when operating over obstacles as described in this manual.
- Always be careful of skidding or sliding. On slippery surfaces, such as ice, go slowly and be very cautious in order to reduce the chance of skidding or sliding out of control.
- Avoid operating the UTV through deep or fast flowing water. Avoid water which exceeds the recommended maximum depth. Go slowly, carefully avoiding sudden movements, maintain a slow and steady forward motion, do not make sudden turns or stops, and do not make sudden throttle changes.
- Wet brakes may have reduced stopping ability. Test your brakes after leaving water. If necessary, apply them lightly several times to let friction dry out the pads.
- Always be sure there are no obstacles or people behind you when you operate in reverse. When it is safe to proceed in reverse, go slowly. Avoid turning at sharp angles in reverse.
- Always use the size and type of tires specified in this manual. Always maintain proper tire pressure as described in this manual.
- Never modify this UTV through improper installation or use of accessories.
- Never exceed the stated load capacity. Cargo should be as far forward in the bed as possible and distributed evenly from side to side. Be sure cargo is secured so that it cannot move around during operation. Reduce speed and follow instructions in this manual for carrying cargo or pulling a trailer. Allow greater distance for braking.

2. UNDERSTANDING WARNINGS

ATTENTION:

This is an ADULT VEHICLE ONLY! Not a toy!
READ AND UNDERSTAND WARNINGS AND OWNER'S MANUAL
BERORE OPERATION.



KNOW YOUR VEHICLE BEFORE YOU BEGING RIDING!

Read this manual thoroughly referring to the various areas which are being discussed on your machine. Operating this vehicle carries with it responsibilities for your personal safety, the safety of others, and the protection of our environment.

NOTE: Illustrations used in this manual are for general representation only. Your model may differ.

2. UNDERSTANDING WARNINGS

SAFETY ALERT

WARNINGS identify special instructions or procedures which, if not correctly followed, could result in personal injury, or loss of life. Read all **WARNINGS** in this manual carefully. Follow their instructions to remain safe.

The following precautionary signal words are used throughout this manual to convey the following messages:



This is the safety alert symbol. When you see this symbol on your machine or in this manual, be alert to the potential for personal injury. Your safety is involved!



WARNING

Indicates a potential hazard which could result in severe injury or death.



CAUTION

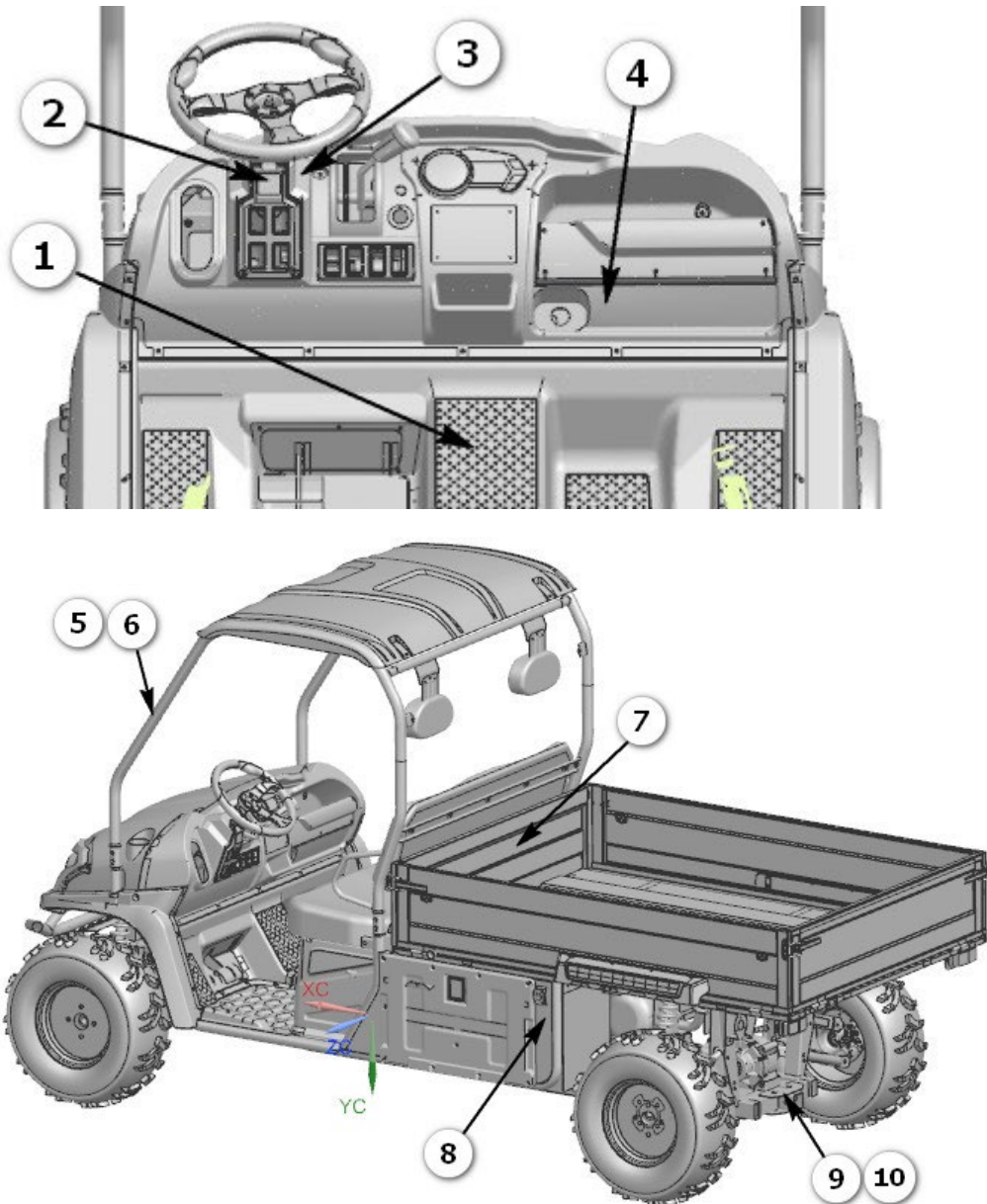
Indicates a potential hazard which may result in personal minor injury or damage to the UTV.

CAUTION

Indicates a situation that can result in damage to the machine.

NOTE The word “NOTE” in this manual will alert you to key information or instructions.


3. SAFETY WARNINGS

**NOTE:**

Warning decals have been placed on the vehicle for your protection. Read and follow the instructions on each decal carefully. In the event any decal becomes illegible or comes off, contact your dealer for a replacement.

3. SAFETY WARNINGS

1




WARNING


Improper use can result in Server INJURY or DEATH

<p>BE PREPARED</p> <ul style="list-style-type: none"> •Fasten seat belts. •Wear an approved helmet and protective gear. •Each rider must be able to sit with back against seat. <p>Feet flat on floor [and foot rests], and hands on steering wheel or handhold(s), [where equipped], Stay completely inside the vehicle.</p> <p>Drive Responsibly</p> <p>Avoid loss of control and rollovers:</p> <ul style="list-style-type: none"> •Avoid abrupt maneuvers, sideways sliding, skidding, or fishtailing, and never do donuts. •Slow down before entering a turn. •Plan for hills, rough terrain, ruts, and other changes in traction and terrain. Avoid paved surfaces. •Avoid side hilling (ride across slopes). 	<p>Be Sure Riders Pay Attention and Plan Ahead If you think or feel the vehicle may tip or roll, reduce your risk to injury:</p> <ul style="list-style-type: none"> •Keep a firm grip on the steering wheel or handholds and brace yourself. •Do not put any part or your body outside of the vehicle for any reason. <p>Require Proper Use of Your Vehicle Do you part to prevent injuries:</p> <ul style="list-style-type: none"> •Do not allow careless or reckless driving. •Make sure operators are 16 or older with a valid driver's license. •Do not let people drive or ride after using alcohol or drugs. •Do not allow operation on public roads (unless designated for off-highway vehicle access)—collisions with cars and trucks can occur. •Do not exceed seating capacity; 1 passenger.
---	---


[Locate and] Read [Owner's Manual]
Follow All Instruction and Warnings
[Reserved for Reference to Other Sources of Safety Information]



ALWAYS USE AN APPROVED HELMET AND PROTECTIVE GEAR




NEVER USE PUBLIC ROADS OR PAVEMENT



NEVER USE WITH DRUGS OR ALCOHOL

2



WARNING


IMPROPER TIRE PRESSURE OR OVERLOADING CAN CAUSE LOSS OF CONTROL. LOSS OF CONTROL CAN RESULT IN SERVER INJURY OR DEATH.

OPERATING TIRE PRESSURE:SET with tires cold. ALWAYS MAINTAIN PROPER TIRE PRESSURE AS INDICATED ON THE SIDEWALL OF YOUR VEHICLE TIRES.

NEVER set tire pressure below the recommended, Tire may dislodge from rim.

Gross Vehicle Weight Rating:1145kg(2524lbs) maximum including weight of operator,passenger, accessories,cargo,and(if applicable)trailer tongue weight.

3



WARNING

To avoid transmission damage, shift only when vehicle is stationary and engine speed<2000rpm.

3. SAFETY WARNINGS


4

<h2>CAUTION</h2>
Do not plug in any heat-generating accessory such as an automobile cigarette lighter because it can damage the socket.

5

	<h2>WARNING</h2>
The enclosure cannot protect occupants in all foreseeable accidents, including rollover.	


6

		<h2>WARNING</h2>
	You could be severely injured if you try to stop a vehicle tip over using your arm or leg, if vehicle starts to tip over, keep arms and legs inside vehicle.	
	Slopes, uneven terrain, and turning too fast or sharp increase the risk of tip over.	


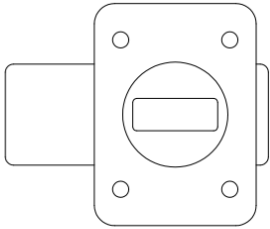
		<h2>WARNING</h2>
	You could be severely injured if you try to stop a vehicle tip over using your arm or leg, if vehicle starts to tip over, keep arms and legs inside vehicle.	
	Slopes, uneven terrain, and turning too fast or sharp increase the risk of tip over.	


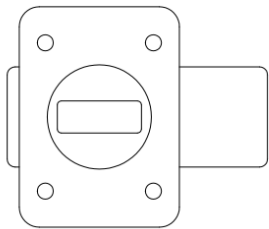
3. SAFETY WARNINGS

7

	<h2>WARNING</h2>
<p>Severe INJURY or DEATH can result if you ignore the following:</p> <ul style="list-style-type: none">● Maximum Load in Cargo Bed:400kg(882lbs).● Never carry passengers in cargo bed.● Cargo can affect handling and stability. <p>Read Owner's Manual before loading or towing.</p> <ul style="list-style-type: none">● When loading with cargo or towing a trailer:Reduce speed and allow more room to stop.Avoid hills and rough terrain.● Be sure cargo is secured a loose load could change handling unexpectedly.● Keep weight in the cargo bed centered ,and as low and far forward as possible.Top heavy loads increase the risk of overturn.	


8

	<h2>WARNING</h2>
	
<p>Make sure the latch is in place in case the door-panel falls off while the vehicle is moving.</p>	

	<h2>WARNING</h2>
	
<p>Make sure the latch is in place in case the door-panel falls off while the vehicle is moving.</p>	

3. SAFETY WARNINGS

9

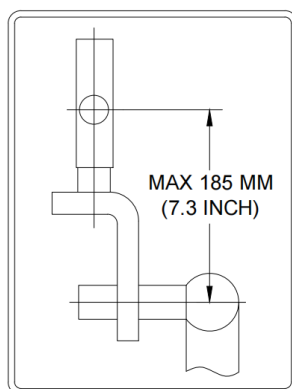
 **WARNING**

Pulling excessive loads can cause loss of stability or control of the vehicle.

Do not exceed the load capacity for the hitch.

Trailer Load Capacity of this vehicle is 882 lbs /400kg and 55 lbs/ 25kg tongue weight.

10



4. DAILY PRE-RIDE INSPECTION



WARNING

You must inspect your UTV each time before riding to ensure it is in proper working order. If a proper inspection is not done, injury or death could result.

Use the following checklist to verify your machine is in proper working order each time you ride.

ITEM/ INSPECTION PROCEDURE

1. Tires— check condition and pressures.

2. Fuel tank— check for leaks, fill the fuel tank to its proper level.

3. All brakes — check fluid level, check operation, adjustment (includes parking brake).

● Brake pedal

Check for correct brake pedal free play. If the brake pedal free play is incorrect, have an authorized dealer adjust it. Check the operation of the brake pedal. It should move smoothly and there should be a firm feeling when the brakes are applied. If not, have the vehicle inspected by your dealer.

● Brake fluid leakage

Check to see if any brake fluid is leaking out of the pipe joints or the brake fluid reservoir. Apply the brakes firmly for one minute. If there is any leakage, have the vehicle inspected by an authorized dealer.

Brake fluid level

● Check the brake fluid level.

Add fluid if necessary.

● Brake operation

Test the brakes at slow speed after starting out to make sure they are working properly. If the brakes do not provide proper braking performance, inspect the brake system.

4. Throttle/ Accelerator pedal— check for free operation, closing and freeplay.

Check to see that the accelerator pedal operates correctly. It must operate smoothly and fully spring back to the idle position when

4. DAILY PRE-RIDE INSPECTION

released.

Have an authorized dealer repair as necessary for proper operation.

5. Headlight / Taillight / Brake light— check operation of all indicator lights and switches.

6. Engine stop switch— check for proper function.

7. Wheels— check for tightness of wheel nuts and axle nuts; check that axle nuts are secured by cotter pins.

Check balance/ damage/ runout. Have an authorized dealer repair/ replace if necessary.

Check bearing assemblies for looseness/damage. Have an authorized dealer replace if damaged.

8. Air cleaner element— check for dirt; clean or replace.

9. Steering— check for free operation noting any unusual looseness in any area.

Park on level ground. Turn the steering wheel right and left. Check for excessive free play, abnormal noises, or a rough feeling. Have an authorized dealer repair as necessary for proper operation.

10. Loose parts — visually inspect vehicle for any damaged components or loose nuts/bolts or fasteners.

Always check the tightness of chassis fittings and fasteners before a ride. Take the vehicle to your dealer for correct tightening torque.

11. Operator's and passenger's helmets, goggles and clothing.

12. Engine coolant— check for proper level at the reservoir bottle.

13. Seat belts— Check for proper operation and belt wear.

Make sure that both seat belts are not frayed or damaged. The seat belt must move smoothly when pulled out and retract on its own when released. The latch plate should click securely into the buckle and release when the release button is pushed firmly. Clean off any dirt or mud which could affect operation. Have an authorized dealer repair as necessary for proper operation.

5. OPERATION WARNINGS



WARNING

POTENTIAL HAZARD

Malfunction of the accelerator pedal.

WHAT CAN HAPPEN

The accelerator pedal could be hard to operate, making it difficult to speed up or slow down when you need. This could cause an accident.

HOW TO AVOID THE HAZARD

Check the operation of the accelerator pedal before you start the engine. If it does not work smoothly, check for the cause. Correct the problem before operating the vehicle. Consult an authorized dealer if you cannot find or solve the problem yourself.



WARNING

POTENTIAL HAZARD

Not wearing the seat belt.

Wearing the seat belt improperly.

WHAT CAN HAPPEN

There is increased risk of being killed or seriously injured in an accident.

HOW TO AVOID THE HAZARD

Always wear your seat belt when riding in the vehicle.

Be sure the seat belt is close-fitting across your hips and chest and is latched securely.



WARNING

POTENTIAL HAZARD

Try to stop the tipping vehicle with your arm or leg.

WHAT CAN HAPPEN

You could be severely injured. You could suffer a crushed hand, arm, leg, or foot.

HOW TO AVOID THE HAZARD

You must keep your arms and legs inside the vehicle until it has stopped moving.

If you are in a situation where the vehicle is tipping over, do not put your arm and/or leg outside, do not try to stop tipping with your arm or leg. You could be severely injured. You could suffer a crushed hand, arm, leg, or foot, if part of your body is caught underneath the vehicle.

5. OPERATION WARNINGS



WARNING

POTENTIAL HAZARD

Pinch points.

WHAT CAN HAPPEN

You or someone else could be pinched between the cargo bed and the frame when the bed is being lowered.

HOW TO AVOID THE HAZARD

Before closing the bed, be sure others are standing away from the vehicle. Keep hands and fingers away from the pinch points between the bed and the frame.



WARNING

POTENTIAL HAZARD

Overloading the cargo bed

WHAT CAN HAPPEN

Could cause changes in vehicle handling which could lead to an accident.

HOW TO AVOID THE HAZARD

Never exceed the stated maximum load limit for this cargo bed.

Cargo should be properly distributed and securely attached.

Reduce speed when carrying cargo. Allow greater distance for braking.



WARNING

POTENTIAL HAZARD

Carrying a passenger or passengers in the cargo bed

WHAT CAN HAPPEN

The passenger(s) could fall, be thrown out, or be struck by objects in the cargo bed.

HOW TO AVOID THE HAZARD

Never carry a passenger or passengers in the cargo bed. This cargo bed is designed to carry cargo only.



WARNING

5. OPERATION WARNINGS

POTENTIAL HAZARD

Driving with improperly operating brakes.

WHAT CAN HAPPEN

You could lose braking ability, which could lead to an accident.

HOW TO AVOID THE HAZARD

Always check the brakes before every ride. Do not operate the vehicle if you find any problem with the brakes. If a problem cannot be corrected by the adjustment procedures provided in this manual, have the vehicle inspected by an authorized dealer.



WARNING

POTENTIAL HAZARD

Operating vehicle without being familiar with all controls.

WHAT CAN HAPPEN

Loss of control, which could cause an accident or injury.

HOW TO AVOID THE HAZARD

Read the Owner's Manual carefully. If there is a control or function you do not understand, ask your authorized dealer.



WARNING

POTENTIAL HAZARD

Overloading this vehicle or carrying or towing cargo improperly.

WHAT CAN HAPPEN

Could cause changes in vehicle handling which could lead to an accident.

HOW TO AVOID THE HAZARD

Never exceed the stated load capacity for this vehicle.

Cargo should be properly distributed and securely attached.

Reduce speed when carrying cargo or pulling a trailer. Allow greater distance for braking.



WARNING

POTENTIAL HAZARD

Operating this vehicle with improper modifications.

WHAT CAN HAPPEN

5. OPERATION WARNINGS

Improper installation of accessories or modification of this vehicle may cause changes in handling which in some situations could lead to an accident.

HOW TO AVOID THE HAZARD

Never modify this vehicle through improper installation or use of accessories. All parts and accessories added to this vehicle should be genuine parts or equivalent components designed for use on this vehicle and should be installed and used according to instructions. If you have questions, consult an authorized dealer.



WARNING

POTENTIAL HAZARD

Operating/ riding this UTV without wearing an approved helmet, eye protection and protective clothing.

WHAT CAN HAPPEN

Operating/ riding without an approved helmet increases your chances of a severe head injury or death in the event of an accident.

Operating/ riding without eye protection can result in an accident and increases your chances of a severe injury in the event of an accident.

HOW TO AVOID THE HAZARD

Always wear an approved helmet which fits properly.

You should also wear eye protection (goggles or face shield); gloves; boots; long-sleeved shirt or jacket; and long pants.



WARNING

POTENTIAL HAZARD

Operating this UTV after drinking alcohol or using drugs.

WHAT CAN HAPPEN

Could seriously affect your judgment.

Could cause you to react more slowly.

Could affect your balance and perception.

Could result in an accident.

HOW TO AVOID THE HAZARD

Never drink alcohol or use drugs before or while driving this UTV.



WARNING

5. OPERATION WARNINGS

POTENTIAL HAZARD

Operating this UTV at excessive speeds.

WHAT CAN HAPPEN

Increases your chances of losing control of the UTV, which can result in an accident.

HOW TO AVOID THE HAZARD

Always travel at a speed which is proper for the terrain, visibility and operating conditions, and your experience.



WARNING

POTENTIAL HAZARD

Failure to inspect the UTV before operating.

Failure to properly maintain the UTV.

WHAT CAN HAPPEN

Increases the possibility of an accident or equipment damage.

HOW TO AVOID THE HAZARD

Always inspect your UTV each time you use it to make sure the UTV is in safe operating condition.

Always follow the inspection and maintenance procedures and schedules described in the Owner's Manual.



WARNING

POTENTIAL HAZARD

Removing your hands from the steering wheel or feet from the floorboard during operation.

WHAT CAN HAPPEN

Removing even one hand or foot can reduce your ability to control the UTV or could cause you to lose your balance and fall off the UTV.

HOW TO AVOID THE HAZARD

Always keep both hands on the steering wheel and both feet on the floorboard of your UTV during operation.



WARNING

POTENTIAL HAZARD

Failure to use extra care when operating this UTV on unfamiliar terrain.

WHAT CAN HAPPEN

You can come upon hidden rocks, bumps, or holes, without enough

5. OPERATION WARNINGS

time to react.

Could result in the UTV overturning or losing control.

HOW TO AVOID THE HAZARD

Go slowly and be extra careful when operating on unfamiliar terrain.

Always be alert to changing terrain conditions when operating the UTV.



WARNING

POTENTIAL HAZARD

Failure to use extra care when operating on excessively rough, slippery or loose terrain.

WHAT CAN HAPPEN

Could cause loss of traction or vehicle control, which could result in an accident, including an overturn.

HOW TO AVOID THE HAZARD

Do not operate on excessively rough, slippery or loose terrain until you have learned and practiced the skills necessary to control the UTV on such terrain.

Always be especially cautious on these kinds of terrain.



WARNING

POTENTIAL HAZARD

Turning improperly.

WHAT CAN HAPPEN

UTV could lose control, causing a collision or overturn.

HOW TO AVOID THE HAZARD

Always follow proper procedures for turning as described in the Owner's Manual.

Practice turning at low speeds before attempting to turn at faster speeds.

Do not turn at excessive speed.

Never operate UTV on hills steeper than 15%.



WARNING

POTENTIAL HAZARD

Improperly operating over obstacles.

WHAT CAN HAPPEN

Could cause loss of control or a collision. Could cause the UTV to

5. OPERATION WARNINGS

overturn.

HOW TO AVOID THE HAZARD

Before operating in a new area, check for obstacles.

Use extreme caution when riding over large obstacles, such as large rocks or fallen trees.

If you cannot avoid obstacles, always follow proper procedures as described in the Owner's Manual.



WARNING

POTENTIAL HAZARD

Skidding or sliding

WHAT CAN HAPPEN

You may lose control of the UTV.

You may also regain traction unexpectedly, which may cause the UTV to overturn.

HOW TO AVOID THE HAZARD

On slippery surfaces, such as ice, go slowly and be very cautious in order to reduce the chance of skidding or sliding out of control.



WARNING

POTENTIAL HAZARD

Operating this UTV through deep or fast flowing water.

WHAT CAN HAPPEN

May cause electric motor failure, an electrical short circuit, or loss of control, which could lead to an accident.

HOW TO AVOID THE HAZARD

Never operate the UTV through water which exceeds the recommended maximum depth in this manual.



WARNING

POTENTIAL HAZARD

Operating this UTV with improper tires, or with improper or uneven tire pressure.

WHAT CAN HAPPEN

Use of improper tires on this UTV, or operation of this UTV with improper or uneven tire pressure, may cause loss of control, and

5. OPERATION WARNINGS

increases the risk of an accident.

HOW TO AVOID THE HAZARD

Always use the size and type tires specified in the Owner's Manual for this vehicle.

Always maintain proper tire pressure as described in the Owner's Manual.



WARNING

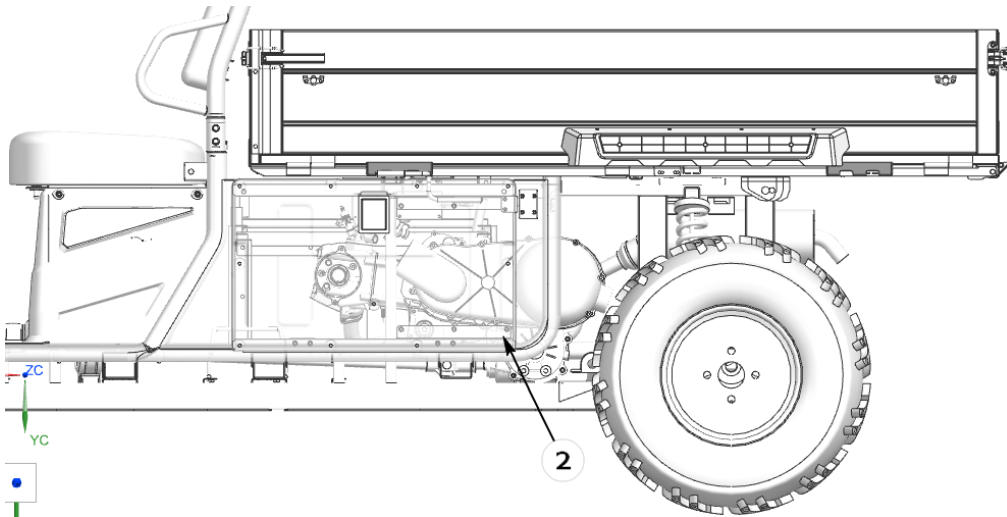
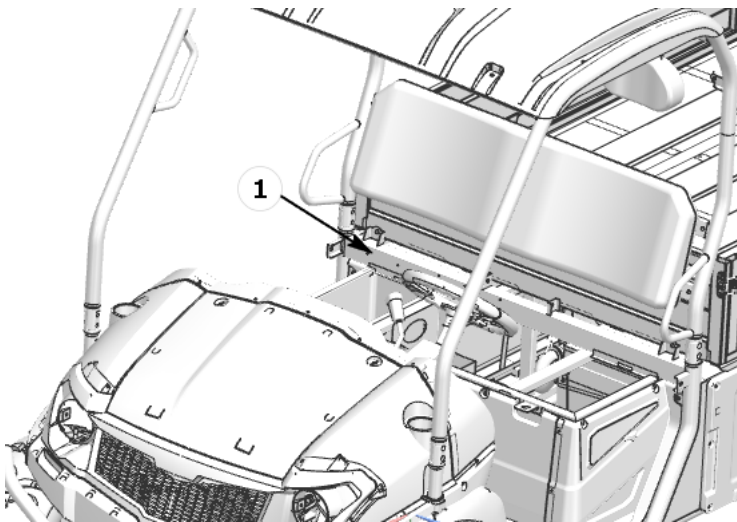
After a rollover or an accident, have a qualified service dealer check the complete machine including, but not limited to, the brakes, throttle and steering for possible damage.



CAUTION

Keep combustible materials away from exhaust system. Fire may result.

6. V.I.N. # & ENGINE SERIAL NUMBER



Record these numbers in the graphical position.

1. Frame VIN

(On the right side of the square tube behind the seat cushion)

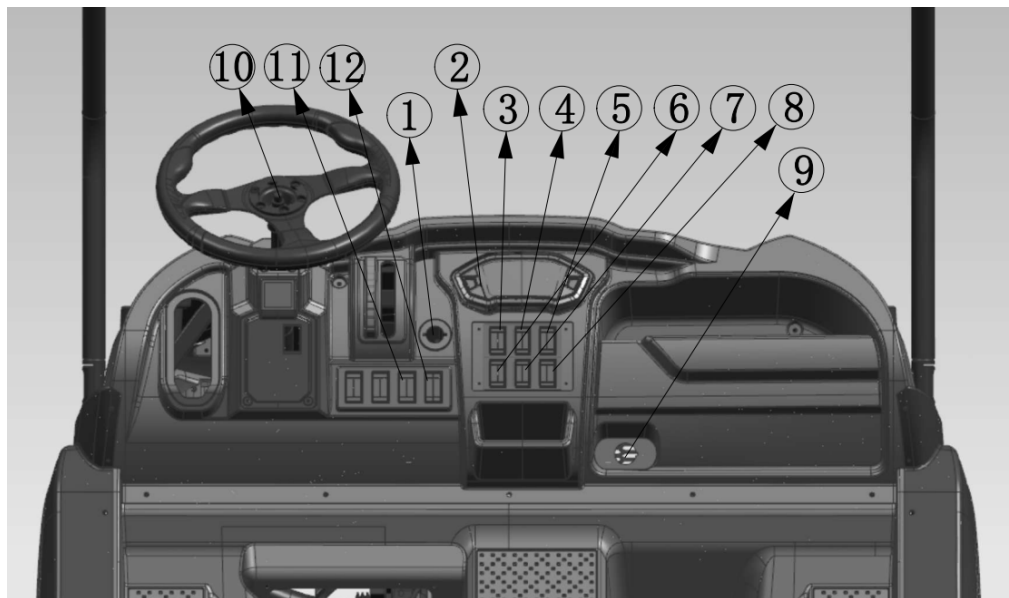
--	--	--	--	--	--	--	--	--	--	--	--	--	--	--	--	--	--	--	--	--

2. Engine Serial Number (Left side of the engine crankcase)

--	--	--	--	--	--	--	--	--	--	--	--	--	--	--	--	--	--	--	--	--

7. CONTROL AND PARTS FUNCTIONS

Electrical Switches Switch Panel (U.S.)



1. Ignition Switch 2. LCD Meter 3. 4WD Switch 4. Hazard Light Switch
5. Light Switch 6. Winch Switch 7. Turn Signal Switch
8. Hi/ Lo Beam Switch 9. Accessory Socket 10. Horn Switch
11. USB Plug 12. Differential Lock Switch

Functions of the respective switch positions are as follows:

ON: All electrical circuits are supplied with power.

OFF: All electrical circuits are switched off. The key can be removed in this position.

START: The electric starter is engaged by turning and holding the key in this position. Release the key when the engine starts.



CAUTION

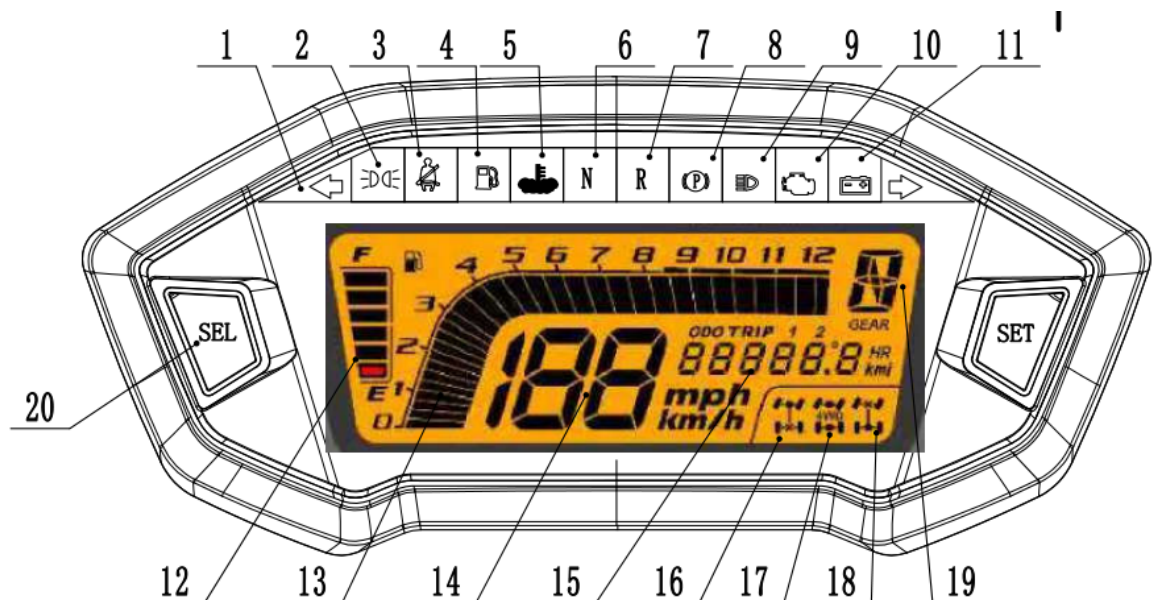
Do not operate the electric starter continuously for more than 5 seconds, or starter damage could occur. Wait at least 5 seconds between each operation of the electric starter to let it cool.

Do not turn the key to the "START" position with the engine running, or damage to the electric starter can result.

7. CONTROL AND PARTS FUNCTIONS

1. Ignition Switch--The vehicle power supply switch.
2. LCD Meter--Displays engine speed, vehicle speed, etc.
3. 4WD Switch--Change condition of vehicle to 4WD or 2WD.
4. Hazard Light Switch --Turns on all the turn signals.
5. Light Switch --Turns on the headlights, taillights, and LCD Meter backlight.
6. Winch Switch--For controlling the winch.
7. Turn Signal Switch—Turns on the left/right turn signals.
8. Hi/ Lo Beam Switch –Switches between the high and low beam headlights.
9. See “Accessory Socket”.
10. Horn--Switch for horn.
11. USB Plug--USB devices can be plugged in
12. Differential Lock Switch--For controlling the rear differential, rear differential lock does not work when moving.

LCD Meter



1. Left/Right Turn Indicator	11. Low battery warning
2. Headlight switch indicator	12. Fuel Gauge
3. Seat belt warning	13. Engine RPM

7. CONTROL AND PARTS FUNCTIONS

4. Low fuel level warning indicator	14. Speed
5. Water temperature alarm indicator	15. Odometer
6. Neutral indicator	16. Rear differential lock indicator
7. Reverse indicator	17. 2W-4W indicator
8. Parking indicator	18. Front differential lock indicator
9. High beam headlight indicator	19. Transmission position indicator
10. EFI fault indicator	20. Function buttons

Key function:

Function selection		Function setting			
SET NO.	Display	SET NO.	Function	SEL	Function
0	ODO				
1	Trip1			Long Press 5S	Clearing
2	Trip2			Long Press 5S	Clearing
3	Usage time				
4	Clock	Long Press 5S	Select hours	Adjust hours	
		1	Select minutes	Adjust minutes	
		2	Select mileage unit	km<-->mile	
5	Water temperature	3	Adjust Water temperature	°C <-->°F	
6	Battery voltage				
7	Backlight brightness	4	Adjust Backlight brightness	Select brightness	
8	DTC number				

7. CONTROL AND PARTS FUNCTIONS

DTC number	DTC Descriptor
P0107	Map Open/GND
P0108	Map Short V
P0112	IAT Short GND
P0117	Toil Short GND
P0118	Toil Short V Open
P0122	TPS Open GND
P0123	TPS Short V
P0131	O2 Short GND
P0132	O2 Short V
P0038	O2 heater V
P0037	O2 heater Open GND
P0201	Injector1 malfunction
P0202	Injector2 malfunction
P0231	Pump/Relay Open/GND
P0232	Pump/Relay Short to Battery
P0336	Crank sensor noisy signal
P0337	Crank sensor no signal
P0351	EST1 malfunction
P0500	VSS no valid signal
P0505	Idle speed control
P0562	System voltage low
P0563	System voltage high
P0601	EEPROM Checksum Error
P0650	MIL malfunction

7. CONTROL AND PARTS FUNCTIONS

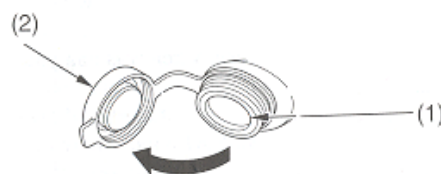
INSTRUMENT FUNCTION BUTTON DETAILS:

1. Switch on the ignition, wait for electricity self-inspection of the meter, then long press the SEL button longer than 5 seconds to switch between km & miles.
2. Short press the SEL button to switch the display between trip mileage or total mileage.
3. If displaying the trip mileage state, long press the SEL button more than 3 seconds to clear the mileage value.

Caution: Electric fuel injection failure alarm indicator should be lit, when the ignition is switched on, but the engine is not started, this alarm function is normal. After the engine starts, the warning light will turn off, otherwise the EFI system has a fault.

ACCESSORY SOCKET

The accessory socket (1) is attached to the left side of the front cover. You can use the accessory socket to power a trouble light, spotlight, CB radio, or cell phone etc.



(1) accessory socket (2) cap



CAUTION

Do not plug in any heat-generating accessories such as an automobile cigarette lighter because it will damage the socket.

To use the accessory socket, start the engine. Then turn the headlights OFF and open the accessory socket cap (2).

Be sure the engine is running, and the headlights are turned off before using the accessory socket, otherwise you may drain the battery.

The accessory socket rated capacity is DC 12V. 120 Watts (10A) or less. If you exceed this limit, you may blow a fuse.

When you are done using an accessory, unplug it, and cover the socket with the cap.

Be careful not to flood this accessory socket when washing your UTV.

7. CONTROL AND PARTS FUNCTIONS

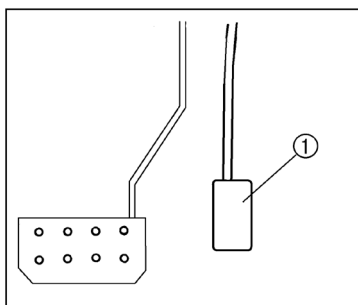
ACCELERATOR PEDAL



WARNING

Before starting the engine, check the accelerator pedal to be sure it is operating smoothly.

Make sure the accelerator pedal fully returns to the idle position as soon as it is released.



1. Accelerator pedal

Press the accelerator pedal down to increase engine speed. Spring pressure returns the pedal to the rest position when released. Always check that the accelerator pedal returns normally before starting the engine.



WARNING

POTENTIAL HAZARD

Malfunction of the accelerator pedal.

WHAT CAN HAPPEN

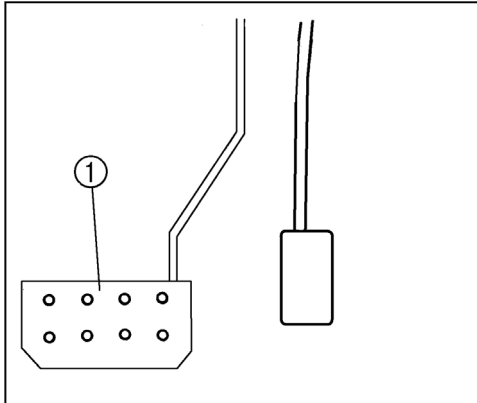
The accelerator pedal could be hard to operate, making it difficult to speed up or slow down when you need to. This could cause an accident.

HOW TO AVOID THE HAZARD

Check the operation of the accelerator pedal before you start the engine. If it does not work smoothly, check for the cause. Correct the problem before operating the vehicle. Consult an authorized dealer if you cannot find or solve the problem yourself.

7. CONTROL AND PARTS FUNCTIONS

BRAKE PEDAL



1.Brake pedal

Press the brake pedal to slow or stop the vehicle.



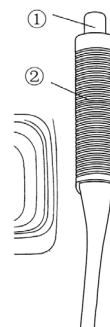
WARNING

Never operate the UTV with a spongy feeling brake pedal. Operating the UTV with a spongy brake pedal can result in loss of braking. Loss of braking could cause an accident.

PARKING BRAKE LEVER

The parking brake lever is located at the left-hand side of the steering wheel. It will help hold the vehicle from moving while parked. To set the parking brake, pull the lever back completely. The parking indicator light will come on if the ignition switch is on. To release the parking brake, pull up on the lever, press the release button, and then push the lever all the way forward. Be sure to fully release the parking brake before starting out. Failure to do so may result in poor performance and premature wearing of the parking brake and V-belt.

1. Release button
2. Parking brake lever



7. CONTROL AND PARTS FUNCTIONS

AUTOMATIC TRANSMISSION GEAR SELECTOR OPERATION

The transmission gear selector is located at the right side of the steering wheel. The transmission selector lever has five positions: high gear, low gear, neutral, reverse, and parking brake.



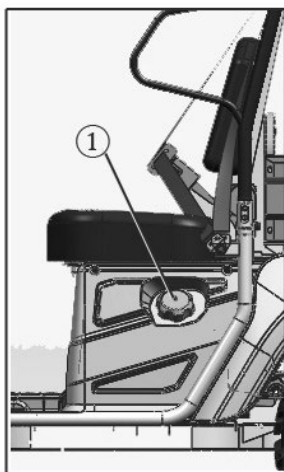
CAUTION

To change gears, stop the vehicle and with the engine idling, move the lever to the desired gear. Shifting gears with the engine speed above idle or while the vehicle is moving could cause transmission damage.

Always place the transmission in gear with the parking brake locked whenever the vehicle is left unattended.

Maintaining the shift linkage adjustment is important to assure proper transmission function. Should you experience any shifting problems see your dealer for assistance.

FUEL TANK CAP



1. Fuel tank cap

Remove the fuel tank cap by turning it counterclockwise.

7. CONTROL AND PARTS FUNCTIONS

SEATS



- 1.Driver seat
- 2.Passenger seat

To remove the seat, lift the front of the seat, and then slide the seat up and forward.

To install the seat, insert the projections on the rear of the seat into the seat holders and push down on the seat at the front.



WARNING

POTENTIAL HAZARD

A loose seat.

WHAT CAN HAPPEN

The operator could lose control, or the operator or passenger could fall if the seat is loose during operation.

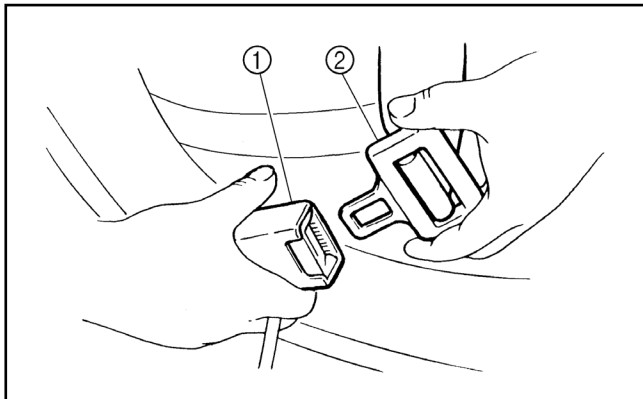
HOW TO AVOID THE HAZARD

Make sure the seat is securely latched.

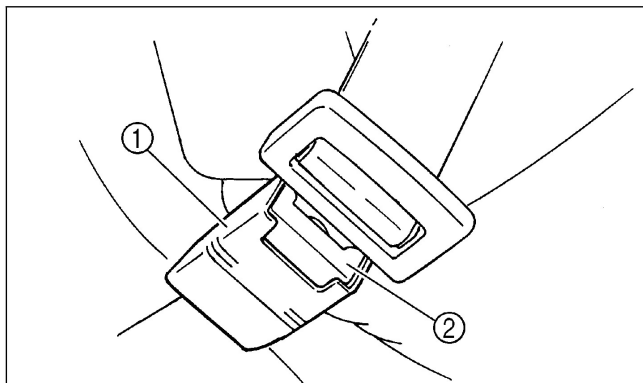
7. CONTROL AND PARTS FUNCTIONS

SEAT BELTS

This vehicle is equipped with three-point seat belts for both the operator and passenger. Always wear the seat belt while riding in the vehicle.



1. Buckle
2. Latch plate



1. Buckle
2. Release button

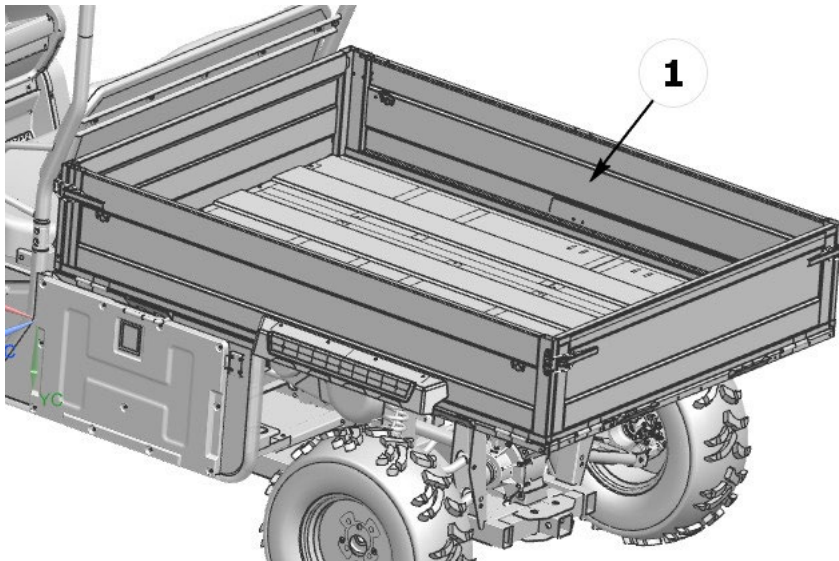


CAUTION

To protect from damage, do not put metal products, like tools or sharp-edged products directly in the glove compartment. If they must be stored, wrap them in an appropriate cushion material first.

7. CONTROL AND PARTS FUNCTIONS

CARGO BED



1. Cargo bed

Close all the latches on the cargo bed before driving the UTV.



WARNING

POTENTIAL HAZARD

Carrying a passenger or passengers in the cargo bed

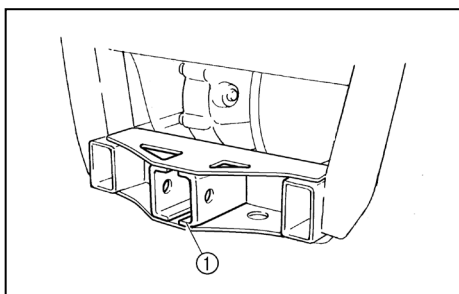
WHAT CAN HAPPEN

The passenger(s) could fall, be thrown out, or be struck by objects in the cargo bed.

HOW TO AVOID THE HAZARD

Never carry a passenger or passengers in the cargo bed. This cargo bed is designed to carry cargo only.

TRAILER HITCH BRACKET



1. Trailer hitch bracket

This vehicle is equipped with a receiver bracket for a standard trailer hitch.

7. CONTROL AND PARTS FUNCTIONS

FUEL AND OIL SYSTEM



WARNING

Gasoline is highly flammable and explosive under certain conditions.

- Always exercise extreme caution whenever handling gasoline.
- Always refuel with the engine stopped and outdoors or in a well-ventilated area.
- Do not smoke or allow open flames or sparks in or near the area where refueling is performed or where gasoline is stored.
- Do not over fill the tank. Do not fill the fuel tank filler neck.
- If you get gasoline on your skin or clothing, immediately wash it off with soap and water and change your clothing.
- Never start the engine or let it run in an enclosed area. Gasoline powered engine exhaust fumes are poisonous and can cause loss of consciousness and death in a short time.



WARNING

The engine exhaust from this product contains chemicals known, in certain quantities, to cause cancer, birth defects or other reproductive harm.

Recommended Fuel: Unleaded Gasoline Only

Fuel tank capacity: 25L (6.6 Gal.)

8. STARTING THE ENGINE

Procedure for Starting a Cold Engine



WARNING

Never run an engine in an enclosed area. Carbon monoxide exhaust gas is poisonous and can cause severe injury or death. Always start engines outdoors.



WARNING

POTENTIAL HAZARD

Freezing control cables in cold weather.

WHAT CAN HAPPEN

You could be unable to control the vehicle, which could lead to an accident or collision.

HOW TO AVOID THE HAZARD

When riding in cold weather, always make sure all control cables work smoothly before you begin riding.



CAUTION

You must allow your vehicle adequate warm up time before driving, otherwise it will damage the engine.

1. Apply the brake.
2. Shift the drive select lever into the neutral position.

NOTE: When the drive select lever is in the neutral position, the neutral indicator light should come on. If the neutral indicator light does not come on, ask a dealer to inspect the electrical circuit.

The engine can be started in any gear if the brake is applied. However, it is still recommended to shift into neutral before starting the engine.

3. With your foot off the accelerator pedal, start the engine by turning

8. STARTING THE ENGINE

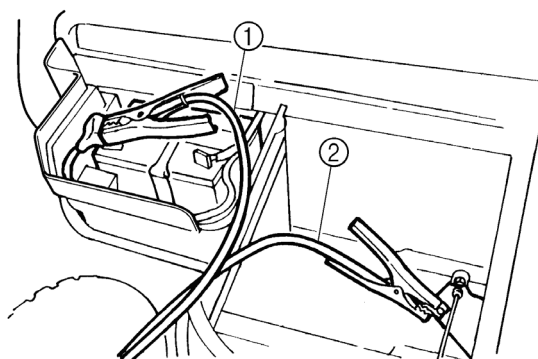
the key to "START".

NOTE: If the engine fails to start, release the key, and then try starting again. Wait a few seconds before the next attempt. Each crank should be as short as possible to preserve battery energy. Do not crank the engine more than 5 seconds on each attempt.

Jump-starting

Jump-starting the vehicle should be avoided. The battery should be removed and charged instead. However, if the vehicle must be jump started, proceed as follows.

1. Turn the key to "OFF".
2. Connect the positive end of a full charged 12V battery to the positive end of battery in the car by using the jumper cable.



1. Jumper cable positive lead 2. Jumper cable negative lead

3. Connect the negative lead of the jumper cable to the negative terminal of the charged battery and the other end of the negative lead to an unpainted metal surface of the vehicle.
4. Turn on the ignition switch, apply the brake, turn the ignition key to start, start the engine.
5. After the engine starts, disconnect the negative lead of the jumper

8. STARTING THE ENGINE

cable from the vehicle and charged battery, and then disconnect the positive lead of the jumper cable from the charged battery and the battery in the vehicle.

9. VEHICLE BREAK-IN PERIOD

The break-in period for your new UTV is defined as the first 50 hours of operation. No single action on your part is as important as a proper break in period. Careful treatment of new engine will result in more efficient performance and longer life for the engine. Perform the following procedures carefully.



CAUTION

Do not operate at full throttle or high speeds for extended periods during the break-in period. Excessive heat can cause damage to engine related components.

1. Fill the fuel tank.
2. Check the oil level indicated on dipstick. Add oil if necessary.
3. Drive slowly at first. Select an area which is open and will give you room to familiarize yourself with vehicle operation and handling.
4. Vary the throttle positions. Do not operate at a sustained idle.
5. Perform regular checks to the oil level, controls, and all important areas of the vehicle according to the "PRE-RIDE" chapter.
6. Do not pull loads.
7. Please replace the engine oil and filter, after driving for 20 hours or 500 miles.

10. RIDING GEAR

Always wear clothing suited to the type of riding you are doing. UTV riding requires special protective clothing which will make you feel more comfortable and reduce chances of injury.

1. Helmet

Your helmet is the most important piece of protective gear for safe riding. Select an approved off-road motorcycle-type helmet that fits properly to prevent a severe head injury.

2. Eye Protection

A pair of goggles or helmet face shield offer the best protection for your eyes.

3. Gloves (off-road style)

4. Boots

A pair of strong over the calf type boots with heels, such as motocross boots.

5. Clothing

To protect your body, long sleeves and pants should always be worn. Riding pants with kneepads, a jersey, and shoulder pads provide the best protection.

10. RIDING GEAR



WARNING

POTENTIAL HAZARD

Operating this vehicle without wearing an approved motorcycle helmet, eye protection, and protective clothing.

WHAT CAN HAPPEN

Operating without an approved motorcycle helmet increases your chances of a severe head injury or death in the event of an accident.

Operating without eye protection can result in an accident and increases your chances of a severe injury in the event of an accident.

HOW TO AVOID THE HAZARD

Always wear an approved motorcycle helmet that fits properly. You should also wear eye protection (goggles or face shield), gloves, boots, long-sleeved shirt or jacket, and long pants.

11. CARRYING LOADS

CARRYING LOADS

Cargo or a trailer can change the stability and handling of a vehicle. You must use common sense and good judgment when carrying cargo or towing a trailer. Keep the following points in mind:

- Never exceed the weight limits shown. An overloaded vehicle can be unstable.

MAXIMUM LOADING LIMIT
Cargo bed: 400 kg (882 lbs.)
Trailer hitch: Pulling load (total weight of trailer and cargo): 400 kg. (882 lbs.)
Tongue weight (vertical weight on trailer hitch point): 25 kg. (55 lbs.)

- Choose a trailer hitch drawbar designed for use with a 5 cm (2 in) receiver.
- Load cargo in the cargo bed as close to the center of the vehicle as possible and tie it down using the cargo hooks equipped on the cargo bed.
- Tie down cargo securely in the trailer. Make sure cargo in the trailer cannot move around. A shifting load can cause an accident.
- Make sure the load does not interfere with controls or your ability to see where you are going.
- Drive more slowly than you would without a load. The more weight you carry, the slower you should go. Although conditions vary, it is a good practice not to exceed low range whenever you are carrying

11. CARRYING LOADS

heavier loads or when towing a trailer.

- Allow more braking distance. A heavier vehicle takes longer to stop.
- Avoid making sharp turns unless at very slow speeds.
- Avoid hills and rough terrain. Choose terrain carefully. Added weight affects the stability and handling of the vehicle.



WARNING

POTENTIAL HAZARD

Overloading this vehicle or carrying or towing cargo improperly.

WHAT CAN HAPPEN

Could cause changes in vehicle handling which could lead to an accident.

HOW TO AVOID THE HAZARD

Never exceed the stated load capacity for this vehicle. Cargo should be properly distributed and securely attached. Reduce speed when carrying cargo or pulling a trailer. Allow greater distance for braking.



WARNING

POTENTIAL HAZARD

Carrying a passenger in the cargo bed.

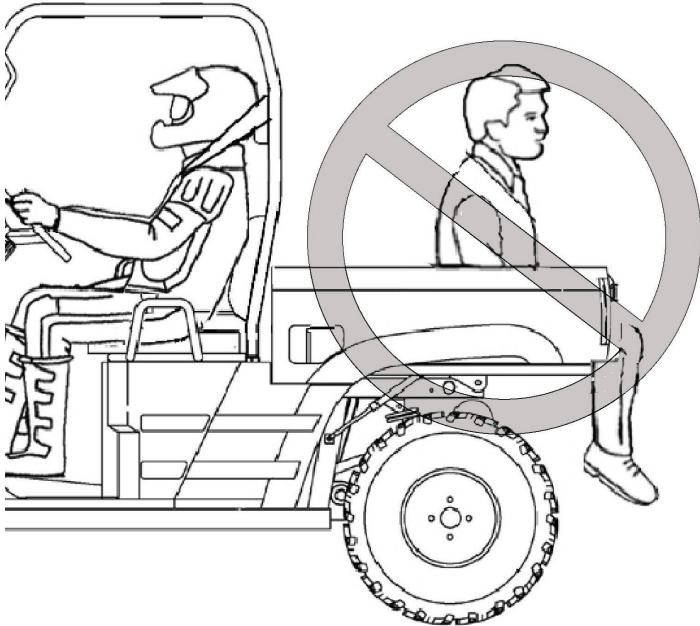
WHAT CAN HAPPEN

The passenger could fall or be struck by objects in the cargo bed.

HOW TO AVOID THE HAZARD

Never carry a passenger in the cargo bed. The cargo bed is designed to carry cargo only.

11. CARRYING LOADS



12. CVT SYSTEM



WARNING

The CVT system rotates at high speeds. Creating large amounts of force on the clutch components.

Do not modify any components of the CVT system. Any modification will damage the system; and cause the system to be out of balance.

The CVT housing must be securely in place during operation.

Failure to comply with this warning can result in severe injury or death.

CVT SYSTEM

On the UTV, the approximate gear ratio difference between high and low range is 1:2.2. This difference in gearing affects the operation of the CVT, especially at speeds less than 7 MPH, due to the system's dependence on engine speed.

13. EXHAUST SYSTEM

SYSTEM REGULATION

TAMPERING WITH NOISE CONTROL SYSTEM PROHIBITED!

CAUTION: Exhaust system components are very hot during and after use of the UTV.

- Do not touch exhaust system components. Serious burns can result.
- Be especially careful when traveling through tall grass. The potential for fire exists.

Spark Arrestor

The exhaust pipe must be periodically purged of accumulated carbon as follows:

1. Remove the arrestor screw ① located on the back of the muffler, pull out the arrestor (the mesh) ②.
2. Clean the arrestor or replace it.

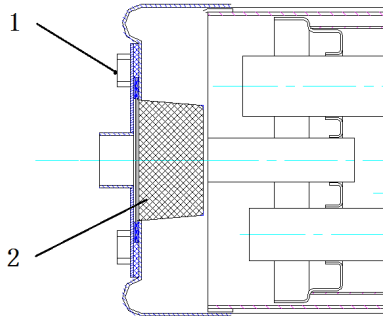


WARNING

When cleaning the spark arrestor, you must follow the safeguards listed below to avoid serious injury.

- Do not perform this operation immediately after the engine has been run because the exhaust system becomes very hot.
 - Keep combustible materials away from exhaust system, otherwise it may cause a fire.
-

13. EXHAUST SYSTEM



Catalyst

There is a catalyst inside the muffler on all models.



WARNING

The engine rpm limiter will work at 7500rpm, this may cause excessive fuel to build in the exhaust, and ignited by the catalyst in the muffler, could lead to a silencer overheating and the risk of fire.

Always reduce throttle when the engine reaches top rpm, to avoid the engine popping.



WARNING

The engine exhaust from this product contains chemicals known, in certain quantities, to cause cancer, birth defects or other reproductive harm.

14. BATTERY



WARNING

Whenever removing the battery, disconnect the negative (black) cable first. When reinstalling the battery, connect the negative (black) cable last or an explosive situation could result causing serious injury or death.



WARNING

Battery electrolyte is poisonous. It contains sulfuric acid. Serious burns can result from contact with skin, eyes, or clothing. Antidote:

External: Flush with water.

Internal: Drink large quantities of water or milk. Follow with milk of magnesia, beaten egg, or vegetable oil. Call a physician immediately.

Eyes: Flush with water for 15 minutes and get prompt medical attention.

Batteries produce explosive gases. Keep sparks, flame, cigarettes, etc. away. Ventilate when charging or using in an enclosed space. Always shield eyes when working near batteries. **KEEP OUT OF THE REACH OF CHILDREN.**

Battery Removal

1. Disconnect the hold down straps holding the electrical box and battery in position and remove the battery cover.
2. Disconnect the black (negative) battery cable first.
3. Disconnect the red (positive) battery cable next.
4. Lift the battery out of the UTV.



CAUTION

If electrolyte spills, immediately wash it off with a solution of one tablespoon baking soda and one cup water to prevent damage to the UTV.

14. BATTERY

Battery Installation and Connections



WARNING

To avoid the possibility of explosion, always connect the battery cables in the order specified. Red (positive) cable first; black (negative) cable last. An exploding battery can cause serious injury or death.



WARNING

Battery terminals and connections should be kept free of corrosion. If cleaning is necessary, remove the corrosion with a stiff wire brush. Wash with a solution of one tablespoon baking soda and one cup water. Rinse well with tap water and dry off with clean rags. Coat the terminals with dielectric grease or petroleum jelly. Be careful not to allow cleaning solution or tap water into the battery.

1. Set the battery in its holder.
2. First connect and tighten the red (positive) cable.
3. Second connect and tighten the black (negative) cable.
4. Reinstall battery cover and attach the hold down strap.
5. Verify that cables are properly routed.



CAUTION

Your UTV is equipped with a 30Ah Battery. This may not be sufficient to provide power for optional equipment. When installing optional equipment please upgrade your battery, as necessary. See your dealer for the proper battery.

15. TROUBLESHOOTING

LOW BATTERY

Possible Cause	Solutions
Starting a faulty engine for a long time	See "8. STARTING THE ENGINE" And check the fuel/ air/ ignition/ compression system
Left the ignition switch (key) on while parking the UTV	When stopping the engine, turn off the ignition switch (key) at once



WARNING

This UTV equipped with an electric start system. If the battery is under charging, the UTV will not run.

15. TROUBLESHOOTING

NOTE:

The following troubleshooting does not cover all the possible causes of trouble. It should be helpful, however, as a guide to troubleshooting. Refer to the relative procedure in this manual for inspection, adjustment, and replacement of parts. Adjustment and replacement must be done by your dealer.

STARTING FAILURE/ HARD STARTING

FUEL SYSTEM

Fuel tank

- Empty
- Clogged fuel tank breather hole
- Fuel pump is clogged
- Deteriorated fuel or fuel containing water or foreign materials

Electric fuel injection

- ECU failure or wiring faulty
- Nozzle clogging or failure
- Throttle position sensor failure
- EFI relay does not work

COMPRESSION SYSTEM

Cylinder and cylinder head

- Loose spark plug
- Loose cylinder head
- Broken cylinder head gasket
- Broken cylinder gasket
- Worn, damaged or seized cylinder

Piston and Piston ring

- Worn piston
- Worn fatigued or broken piston ring
- Seized piston ring

Valve system

- Improperly adjusted valve clearance
- Improperly sealed valve
- Improperly contacted valve and valve seat
- Improper valve timing
- Broken valve spring
- Seized valve

15. TROUBLESHOOTING

- Seized or damaged piston
-

IGNITION SYSTEM

Battery

- Improperly charged battery
- Faulty battery

Fuse

- Burnt out, improper connection

Spark plug

- Improper plug gap
- Worn electrodes
- Wire between terminals broken
- Improper heat range
- Faulty spark plug cap

Ignition coil

- Broken or shorted primary/
secondary coil
- Faulty high-tension cord
- Broken ignition coil body

Ignition system

- Faulty ignitor unit
- Faulty pick up coil
- Broken magneto
woodruff key

Switch

- Faulty main switch
- Faulty brake switch

Wiring

- Loose battery terminal
- Loose coupler connection
- Improperly grounded
- Broken wire harness

POOR IDLE SPEED PERFORMANCE

EFI

- Loose or clogged injector
- Trigger coil gap inappropriate
- Ignition loop cable failure
- Improperly adjusted idle speed
(Pilot screw), (Throttle stop screw)
- Improperly adjusted throttle cable
- Intake pressure temperature sensor failure

Air cleaner

- Clogged air cleaner element

Ignition system

- Faulty spark plug
- Faulty high-tension cord
- Faulty ignition coil

Valve system

- Improperly adjusted

15. TROUBLESHOOTING

POOR MEDIUM AND HIGH-SPEED PERFORMANCE

EFI

- Improperly adjusted fuel level element
- Clogged main nozzle

Air cleaner

- Clogged air cleaner
-

POOR SPEED PERFORMANCE

Ignition system

- Dirty spark plug
- Improper heat range
- EFI failure

Fuel system

- Clogged fuel tank breather hole
- Clogged air cleaner element
- Clogged injector
- Improperly adjusted fuel level
- Improper air vent hose setting

Compression system

- Worn cylinder
- Worn or seized piston ring
- Cylinder head gasket broken
- Cylinder gasket broken
- Carbon deposit buildup
- Improper adjusted valve clearance
- Improper contacted valve and valve seat
- Faulty valve timing

Clutch

- Refer to "CLUTCH SLIPPING /DRAGGING" section

Engine oil

- Improper oil level (low or over Oil level)

Ignition system

- Faulty spark plug

15. TROUBLESHOOTING

- Faulty high-tension cord
- Faulty pick up coil
- Faulty ignition coil

Valve system

- Improperly adjusted valve clearance

OVER HEATING

Ignition system

- Improperly spark plug gap
- Improper spark plug heat rang

- Faulty igniter unit

OVER-COOLING

Cooling system

- Faulty temperature switch
- Water temperature regulation set incorrectly

Fuel system

- ECU setting incorrect
- Improper fuel level adjustment
- Clogged air cleaner element

Compression system

- Heavy carbon deposit build-up
- Improperly adjusted valve timing
- Improperly adjusted valve clearance

Engine oil

- Incorrect engine oil level
- Improper engine oil quality (High viscosity)
- Low engine oil quality

Brakes

- Dragging brake

15. TROUBLESHOOTING

Cooling system

- Radiator temperature sensor failure
- Radiator fan failure

FAULTY CLUTCH

WITH ENGINE RUNNING, UTV DOES NOT MOVE

V belt

- Worn/bent/slipping

Cam, slider

- Worn/damaged

Compression spring

- Damage

Gears

- Damage

CLUTCH SLIPPING

Clutch weight spring

Position

- Worn/loose

Clutch shoe

- Worn/ damaged

Primary sliding sheave

- Seized

POOR STARTING

PERFORMANCE

V-belt

- Slipping/oily V-belt

Primary sliding sheave

- Improper operation

POOR SPEED PERFORMANCE

V-belt

- Worn
- Oily V belt

Roller weight

- Worn/improper operation
primary/secondary/sheave

- Worm

CVT SYSTEM

Incorrect Primary Clutch

- Incorrect engine mount
(see 13. CVT system)

FAULTY BRAKE

POOR BRAKING EFFECT

- Worn front hub bearing
- Worn brake pad
- Worn brake disc
- Air in brake fluid

15. TROUBLESHOOTING

- Damage
- compressing spring**
- Worn/loose
- Secondary sliding sheave**
- Improper operation
- Worn guide pin groove
- Worn guide pin
- Clutch shoe**
- Worn/ bent
- Leaking brake fluid
- Faulty master cylinder kit
- Faulty caliper seal kit
- Loose union bolt
- Broken brake hose
- Oily or greasy brake pad
- Oily or greasy brake disc

16. SPECIFICATIONS

Dimensions & Capacities			
L X W X H	3420X1480X1940 mm		
Seat height	470mm		
Wheelbase	2425mm		
Ground Clearance	260mm		
Fuel capacity	25L (6.6 Gal.)		
Engine Oil Capacity	1.3 L		
Dry Weight	595 kg (1312 lbs.)		
Load Capacity (Combined Rider& Payload)	550 kg (1212 lbs.)		
Cargo Bed Maximum load limit	400kg (882 lbs.)		
Tow Capacity	400 kg (882 lbs.)		
Drive System			
Drive System	CVT		
Front Tire	25X8-12		
Rear Tire	25X10-12		
Tire Pressure(front)	100 kPa (14.5 PSI)		
Tire Pressure(rear)	100 kPa (14.5 PSI)		
Brake System			
Brake	Front Brake	Dual Hydraulic Disc	Front and rear unified
	Rear Brake		
	Operation	Foot	
Parking Brake	Mechanical Disc		
Suspension			
Front	MacPherson Strut		
Rear	Swing Arm		
shock absorber	Coil spring/oil damper		

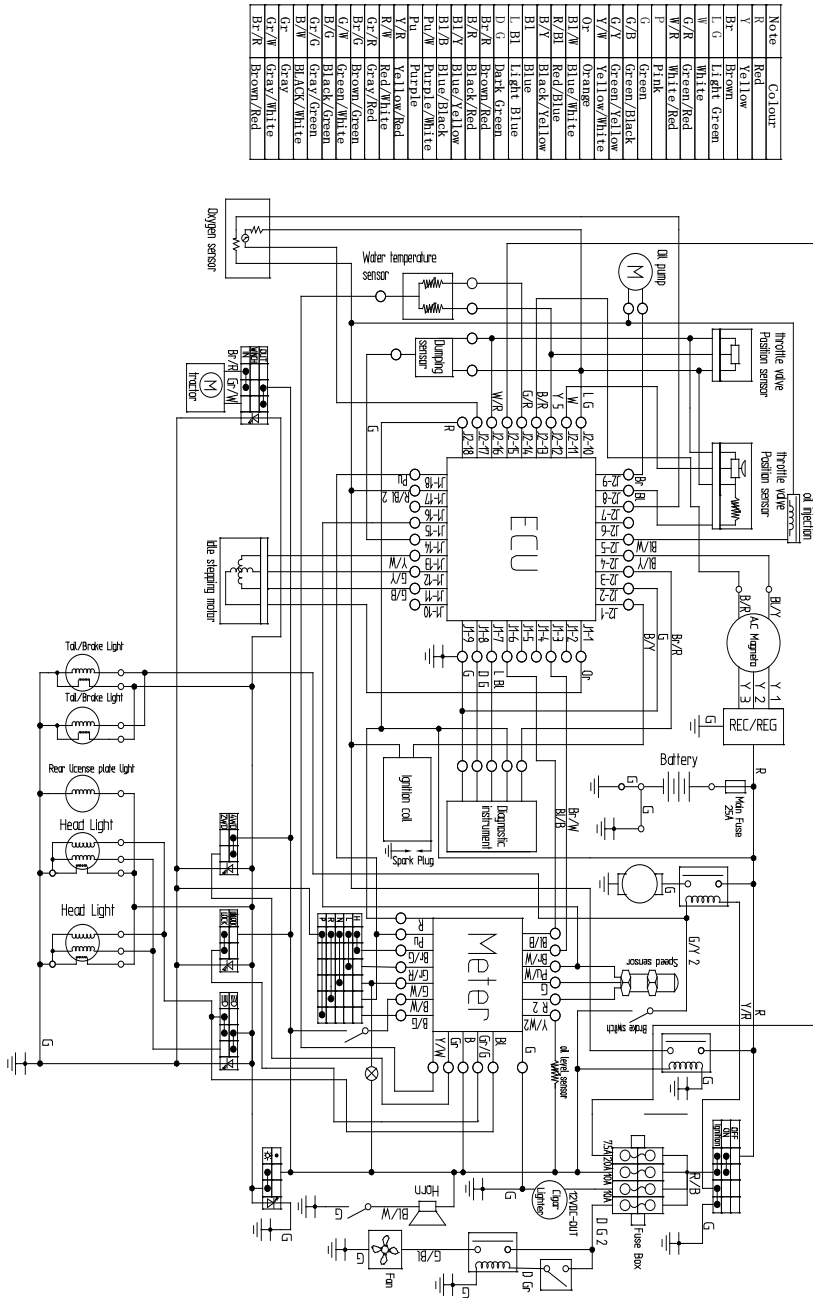
16. SPECIFICATIONS

Engine	
Engine Type	XY182MQ 4Stroke, Single Cylinder, SOHC
Bore x Stroke	82mmx74mm
Displacement	390.8cc
Starter System	Electric Starter
Engine Cooling	Liquid -Cooled
Lubrication System	Wet Sump
Ignitions	EFI
Spark Plug Type	DR8EA

Electrical Equipment			
Battery		12V 30AH	
Head light		35W/35W x2	
Front Position Light		12V 5W x2	
Rear Position Light		12V 5/3W x2	
Brake/ Taillight		12V 10W x4	
Parking Light		12V 1W	
High Beam Indicator Light		12V 1W	
Neutral Indicator Light		12V 1.7W	
Reverse Indicator Light		12V 1W	
Specified fuses	Main Fuse	25.0 A	On the Start Relay
	Backup Fuse	25.0 A	
	Ignition System Fuse	7.5 A	In the Fuse Box
	Accessory Socket Fuse	10.0 A	
	Fan Fuse	10.0 A	
	Signaling/ Lighting System Fuse	20.0 A	
	Backup Fuse (1)	10.0 A	
	Backup Fuse (2)	20.0 A	

17. WIRING DIAGRAM

WIRING DIAGRAM



18. MAINTENANCE

To keep performance optimal, the vehicle should be checked and maintained at certain intervals.

The meanings of capital letters in following table are:

I: Inspection, including check, clean, lubricate, refuel, repair or replacing if necessary.

A: Inspection, adjusting if necessary C: Cleaning R: Replacing

L: Lubricate

Maintenance period Items	Odometer(km / mi)						Everyday check before riding
	750 500	3000 1900	6000 3800	9000 5600	12000 7500	15000 9400	
Re-seating Valve		I	I	I	I	I	
Spark Plug		I	R	I	R	I	
Fuel System		I	I	I	I	I	
Engine Oil	R	R	R	R	R	R	I
Valve Clearance		A	A	A	A	A	
Idle Speed		A	A	A	A	A	
Engine Bolts		I	I	I	I	I	
Gear Oil		R	R	R	R	R	
Fuel Filter		R	R	R	R	R	
Air Cleaner		C	R	C	R	C	
Drive Belt		I/L	I/L	I/L	I/L	I/L	
Cooling System		I	I	I	I	I	
Engine Mount		I	I	I	I	I	
Fuel Line		I	I	I	I	I	
Throttle Operation		I	I	I	I	I	
Brake Shoes/Pad Wear		I	I	I	I	I	
Brake System		I	I	I	I	I	
Brake Light Switch		I	I	I	I	I	
Brake Fluid		I	I	I	I	I	
Clutch		I	I	I	I	I	
Suspension		I	I	I	I	I	
Nuts,Bolts,Fasteners		I	I	I	I	I	
Wheels/Tires		I	I	I	I	I	
Steering System		I	I	I	I	I	

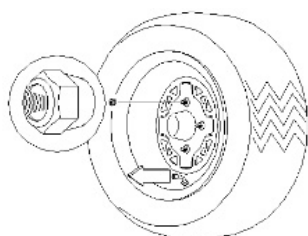
18. MAINTENANCE

The following items should be checked occasionally for tightness; or if they have been loosened for maintenance service.

WHEEL NUT TORQUE SPECIFICATIONS

Bolt Size	Specification	
M12X1.25	50Ft.Lbs	69N.m

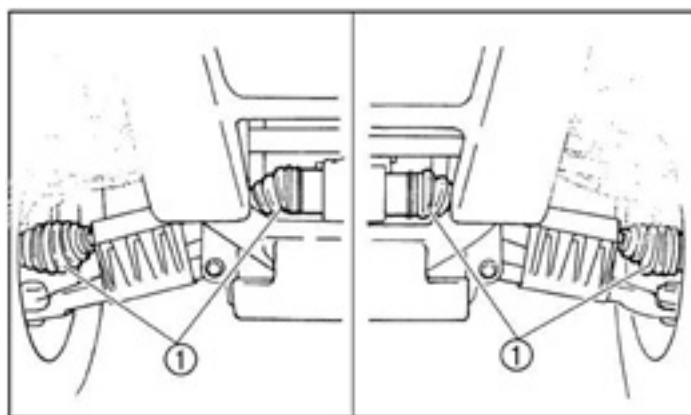
NOTE: All nuts that have a cotter pin installed must be serviced by an authorized Dealer.



AXLE BOOTS

- Front Shaft Boots,
- Rear Axle (CV Joints,) Boots,

Check the protective boots for holes or tears. If any damage is found, have them replaced by an authorized dealer.

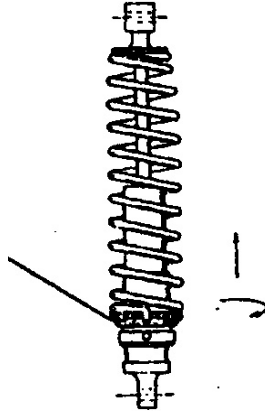


18. MAINTENANCE

REAR SPRING ADJUSTMENT

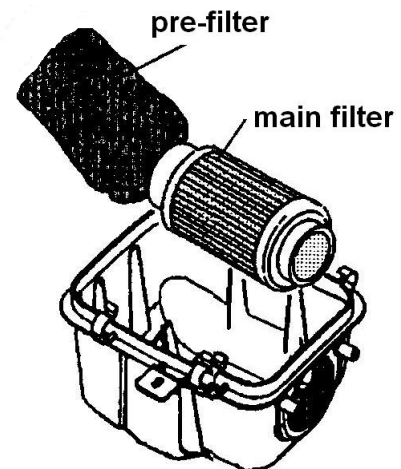
The rear shock absorber spring is adjusted by rotating the adjuster in the direction required to increase or decrease spring tension.

Rear Spring
Adjustment



AIR FILTER SERVICE

1. Lift the cargo bed. (See 7. CONTROL AND PARTS FUNCTIONS in this manual for bed lifting and lowering.)
2. Release clips and remove cover.
3. Loosen clamp and remove the filter.
4. Remove fabric type pre-filter from main filter. Wash pre-filter in soapy water and dry it.
5. Reinstall pre-filter over main filter. Replace main filter as required.
6. Reinstall filter into air box and tighten clamp. Do not over tighten clamp, otherwise filter damage may occur.



STEERING

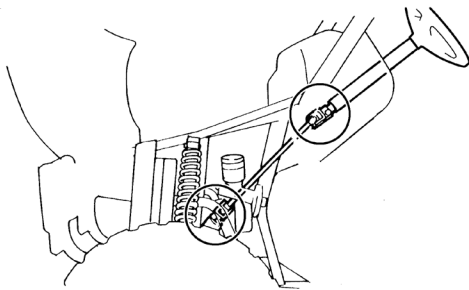
Steering Inspection

The steering assembly of the machine should be checked periodically

18. MAINTENANCE

for loose nuts and bolts, worn tie rod ends, worn boots, and damage. Checking routing of all cables, hoses, and wiring to be sure the steering mechanism is not restricted or limited. If any problems are found, have your dealer repair them before riding your vehicle.

The steering assembly should be also checked periodically for free operation, steering should move freely through the entire range of travel without binding. Park on level ground. Turn the steering wheel right and left. Check for excessive free play, abnormal noises, or a rough feeling. Have an authorized dealer repair as necessary for proper operation.



Lubricate the pivoting parts.

Recommended lubricant:

Lithium-soap-based grease

CAMBER AND CASTER

The camber and caster are non-adjustable.

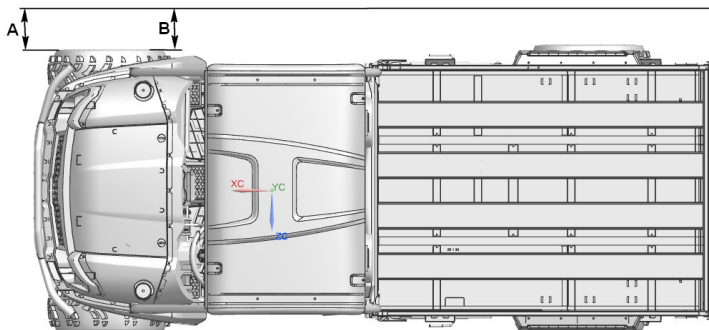
TOE ALIGNMENT CHECK



WARNING

Do not attempt to adjust the tie rod for toe alignment. Severe injury or death can result from improper adjustment.

Contact your dealer. They have the training and tools necessary to make these adjustments.



The recommended toe alignment is 4 to 6mm toe out.

1. Set the steering wheel in a straight-ahead position and hold them it

18. MAINTENANCE

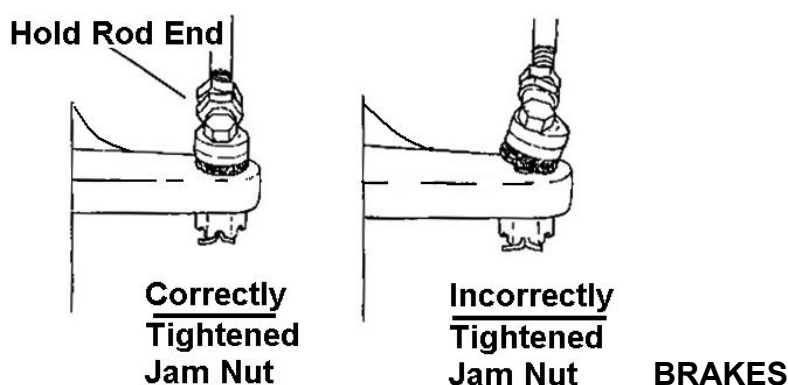
in this position.

2. Measure A and B, B minus A should be 2 to 3mm.
3. If this measurement needs to be adjusted, contact your dealer for service.



WARNING

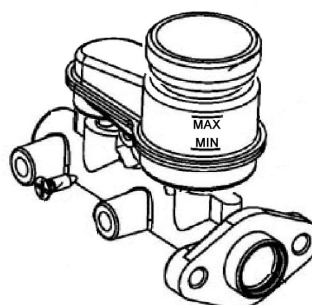
If the tie rod is positioned incorrectly or adjusted incorrectly, it will not pivot, may break, and may separate. Severe injury or death can result.



- Always fill the reservoir as indicated whenever the cover is loosened or removed to insure proper diaphragm operation. Use DOT 3 brake fluid.
- Check the brake system for fluid leaks.
- Check the brake for excessive travel or a spongy feeling.
- Check friction pads for wear, damage and looseness.
- Check the surface condition of the brake rotor.
- Pads should be changed when friction material is worn to 3/64" (1mm). (A)

Checking the brake fluid level

Insufficient brake fluid may let air enter the brake system, possibly causing the brakes to become ineffective. Before riding, check that the brake fluid is above



18. MAINTENANCE

the minimum level mark and replenish if necessary. A low brake fluid level may indicate worn brake pads and/or brake system leakage. If the brake fluid level is low, be sure to check the brake pads for wear and the brake system for leakage.

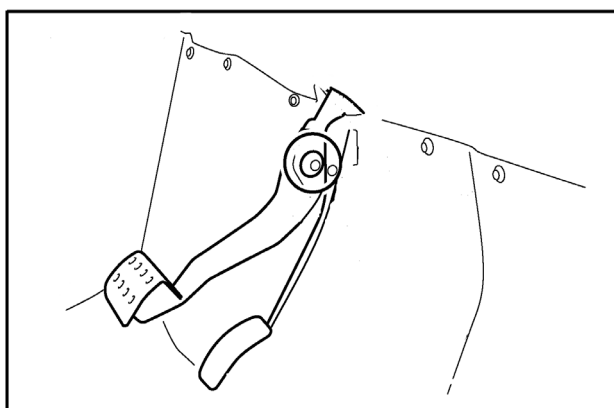
- The brake fluid reservoir is located under the hood.
- When checking the fluid level, make sure the top of the brake fluid reservoir is level.
- Use only the recommended quality brake fluid. Otherwise, the rubber seals may deteriorate, causing leakage and poor braking performance.

Recommended brake fluid: DOT 3

- Refill with the same type of brake fluid. Mixing fluids may result in a harmful chemical reaction and lead to poor braking performance.
- Be careful that water does not enter the brake fluid reservoir when refilling. Water will significantly lower the boiling point of the fluid and may result in vapor lock.
- Brake fluid may deteriorate painted surfaces or plastic parts. Always clean up spilled fluid immediately.
- Have an authorized dealer inspect the brake system if the brake fluid level goes down.

Brake pedal and accelerator pedal lubrication

Lubricate the pivoting parts.



Recommended lubricant:
Lithium-soap-based
grease (all-purpose
grease)

PARKING BRAKE

Checking

Although the parking brake has been adjusted at the factory, the brake should be checked for proper operation. The mechanical brake must be maintained to be fully functional.

18. MAINTENANCE

1. With the engine off, apply the parking brake lever and attempt to move the UTV.
2. If the rear wheels are locked, it is adjusted properly.
3. If the wheels are not locked, it must be adjusted.

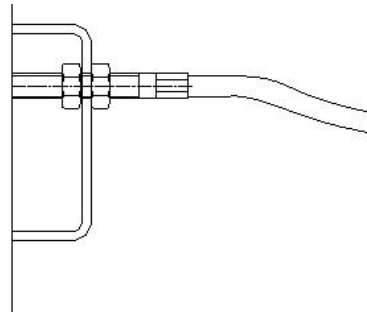
Adjusting

To adjust the mechanical parking brake, use the following procedure:

Note: The adjustment on the caliper is for the wear out of the pads.

1. With the engine off, loosen the adjuster on the lever.
2. Loosen the jam nut of the adjuster on the caliper.
3. Turn the adjuster (bolt) CW (clockwise) by hand till the pads touch the brake disc, turn the adjuster bolt CCW (counterclockwise) by 1/4 to one turn for 10-20mm free play at the end of the parking lever.
4. Tighten the jam nuts securely against the adjusters.
5. Make sure the rear wheels turn freely without dragging.
6. Turn the adjuster (the one on the lever) and apply the lever. While adjusting, it is important you move the lever back and forth for operation, free play and the locking of the parking position.
7. Make sure the rear wheels turn freely without dragging and parking brake works properly.
8. Field test for parking. It must be capable of holding the laden UTV stationary on an 18% gradient.

A temporary adjustment can also be done to the brake cable on the parking lever side by turning the adjuster (nut) directly. But the adjust range is limited. Always do **procedure 1 to 8** when necessary.



Throttle Free Play Inspection

1. Apply the parking brake.
2. Put transmission in the Neutral position.

18. MAINTENANCE

3. Start the engine, and warm it up thoroughly.
4. Measure the distance the throttle pedal moves before the engine begins to pick up speed. Free play should be 1/16" to 1/8" (1.5-3mm).

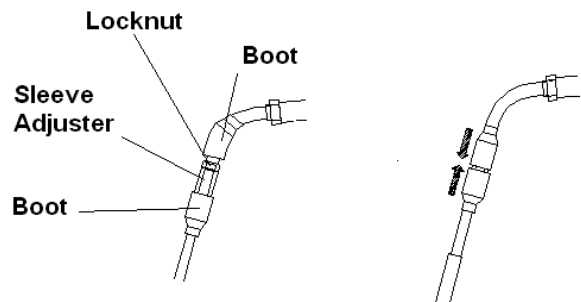
Throttle Free Play Adjustment

Throttle cable free play is adjusted at the cable, under the passenger seat.

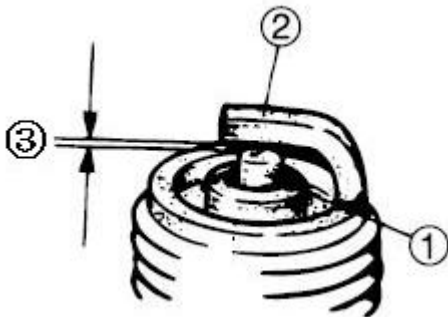
1. Slide the boots off. Loosen the adjuster locknut.
2. Turn adjuster until 1/16" to 1/8" (1.5 to 3mm) freeplay is achieved at the throttle pedal.

NOTE: While adjusting free play, it is important you flip the throttle pedal back and forth.

3. Tighten locknut and slide the boots over cable adjuster.



SPARK PLUG



Standard spark plug: DR8EA

③ Gap: 0.8mm

Inspect:

- Insulator ①
Abnormal color: Replace.
Normal color is a medium-to-light tan color.
 - Electrode ②
Wear/damage: Replace.
 - Clean spark plug
(use spark plug cleaner or wire brush)
- Measure:
- Spark plug gap ③
Out of specification: Adjust gap.

Spark Plug Removal and Replacement



WARNING

Never attempt to remove a spark plug while the engine is warm.
The

18. MAINTENANCE

exhaust system or engine could burn you causing severe injury.

Remove the spark plug by rotating counterclockwise.

Reverse the procedure for spark plug installation.

Torque to 17ft.lbs (23N.m).

If you want to know more about maintenance details, please refer to the following table.

Due to the nature of the adjustments marked with a **D** on the following chart, it is recommended these services be performed by an authorized dealer.

- More often under severe use, such as dirty or wet conditions to purge water or dirt contamination from grease fittings and other critical components.

PERIODIC MAINTENANCE SCHEDULE

Careful periodic maintenance will help keep your vehicle in the safest, most reliable condition. Inspection, adjustment and lubrication intervals of important components are explained in the following chart on the following pages.

NOTE:

Maintenance intervals are based upon average riding conditions and an average vehicle speed of approximately 16 km/h. However, keep in mind that if the vehicle is not used for a long period of time, the monthly maintenance intervals should be followed.

Vehicles subjected to severe use, such as operation in wet or dusty areas, should be inspected and serviced more frequently.

Inspect, clean, lubricate, adjust, or replace parts, as necessary.

NOTE:

Inspection may reveal the need for replacement parts. Always use genuine parts available from your dealer.

18. MAINTENANCE

Service and adjustments are critical. If you are not familiar with safe service and adjustment procedures, ask a qualified dealer to perform these operations.

	Item	Hours	When	Remarks
●	Brake System	Pre-ride	Pre-ride	Pre-ride inspection item
	Accelerator pedal	Pre-ride	Pre-ride	Inspect –adjust, lubricate, replace if necessary; pre-ride inspection item
	Fuel System	Pre-ride	Pre-ride	Check for leaks at tank cap, lines, fuel valve, filter, and fuel injector.
●	Tires	Pre-ride	Pre-ride	Inspect daily, pre-ride inspection item
●	Front and Rear Wheels/ Hubs	Pre-ride	Pre-ride	Pre-ride inspection item
●	Steering	Pre-ride	Pre-ride	Inspect daily, lubricate
D	Wheels bearings	10 hrs	Monthly	Check for looseness/ damage. Replace if damaged.
	Frame nuts, bolts fasteners	Pre-ride	Pre-ride	Pre-ride inspection item
●	Air Filter-Pre-Cleaner	Daily	Daily	Inspect-Clean
	Coolant/Level Inspection	Daily	Daily	Replace engine coolant every year
●	Air Box Sediment Tube	Daily	Daily	Drain deposits whenever visible
	Headlamp Inspection	Daily	Daily	Check operation daily; apply dielectric grease to connector when replaced
	Tail/ indicator lamp inspection	Daily	Daily	Check operation daily; apply dielectric grease to socket when replaced
●	Air Filter-Main Element	Weekly	Weekly	Inspect –Replace if necessary
●	Transmission Oil Level	20 hrs	Monthly	Inspect monthly; change annually
	Battery	20 hrs	Monthly	Check/clean Terminals voltage
D	Brake pad wear	10 hrs	Monthly	Inspect periodically
●	Front/Rear axle Gear case Oil	100 hrs	Monthly	Check yearly or every 100 hours

18. MAINTENANCE

	Engine Cylinder Head and Cylinder Base Fasteners	25 hrs	3 months	Inspect (re-torque required at first service only)
●	General Lubrication	50 hrs	3 months	Lubricate all fittings, pivots, cables, etc.
●	Engine Oil-Level/Change	30 hrs	3 months	Check Level Daily; Break in Service at 1 month. Change oil more often in cold weather use.
●	Dipstick	50 hrs	6 months	Inspect-clean
	Engine breather hose	100 hrs	6 months	Inspect
D	Throttle Cable/ Accelerator pedal	20 hrs	monthly	Inspect –adjust, lubricate, replace if necessary; pre-ride inspection item
	Shift linkage	50 hrs	6 months	Inspect, adjust
D	Drive belt	50 hrs	6 months	Inspect, replace if necessary
D	Steering system	50 hrs	6 months	Check operation and for looseness, worn, damage, binding feeling / Adjust, repair, Replace if necessary. Check toe alignment /Adjust if necessary.
D	Toe alignment adjustment	As required	As required	Periodic inspection, adjust when parts are replaced
D	Shaft	50 hrs	6 months	Check for looseness/ damage.
●	Axle	50 hrs	6 months	Inspect bearings, Lube
●	Front Prop Shaft & Shaft Yoke	50 hrs	6 months	Check for looseness/ damage.
●	Rear Prop Shaft, Shaft Yoke & Boots	50 hrs	6 months	Check for/ boots/ looseness/ damage.
●	Front Suspension	50 hrs	6 months	Inspect-lubricate, tighten fasteners
●	Rear Suspension	50 hrs	6 months	Inspect, tighten fasteners
	Spark Plug	100 hrs	12 months	Inspect-replace if necessary
D	Ignition Timing	100 hrs	12 months	Inspect and adjust as needed

18. MAINTENANCE

D	Fuel System	50 hrs	6 months	Check for leaks at tank cap, lines, fuel valve, filter, and fuel injector. Replace lines every year
D	Fuel Filter	100 hrs	12 months	Replace annually
	Radiator	100 hrs	12 months	Inspect/clean external surface
	Spark arrestor	50 hrs	3 months	Clean out-replace if necessary
D	Clutches (drive and driven)	25 hrs	3 months	Inspect, clean
	Engine mounts	25 hrs	3 months	Inspect
D	Valve clearance	100 hrs	12 months	Inspect/adjust
D	Brake fluid	200 hrs	24 months	Change every two years
	Idle Speed	As required	As required	Adjust
	Headlight Aim	As required	As required	Adjust if necessary

LUBRICATION RECOMMENDATIONS

	Item	Lube Rec	Method	Frequency
●	1. Engine Oil	SAE 15W/40SG	Add to proper level on dipstick	Check level daily
	2.Brake Fluid	DOT 3 Only	Maintain level Between fill lines. See "7. CONTROL"	As required, change every two years or 200 hours
	3.Transmission Oil	SAE 80W/90GL5	Add to proper level on dipstick	Change annually or at 100 hours
	4. Front/Rear axle Gear case Oil	SAE 80W/90GL5	Front axle: 250ml Rear axle: 450ml	Change annually or at 100 hours

18. MAINTENANCE

	Item	Lube Rec	Method	Frequency
●	5.Steering system	Grease	Lubricate the pivoting and sliding parts	Every 3 months or 50 hours
●	6.Shift Linkages	Grease	Locate fittings and Grease	Semi-annually
●	7.Front Wheel bearings	Inspect	Inspect and replace bearings if necessary	Semi-annually
●	8.Ball joints	Grease	Inspect, Locate fittings and Grease, or replace it if necessary	Semi-annually
●	9.Prop Shaft & Shaft Yoke, Spline Joint	Grease	Locate fitting and Grease	Semi-annually
●	10.Rear Axle Bearing	Grease	Grease	Every 3 months or 50 hours
●	11.Swing Arm Bearing	Grease	Grease	Monthly or 20 hours
●	12.Throttle Cable	Grease M	Grease, inspect and replace it if necessary	Monthly or 20 hours
●	13. Accelerator pedal and brake pedal	Grease	Grease, inspect	Monthly or 20 hours

NOTE:

1. More often under severe use, such as wet or dusty conditions.
2. Grease: Light weight lithium-soap grease.
3. Grease M: molybdenum disulfide (MoS₂) grease (water resistant).
4. *When suspension action becomes stiff or after washing.
5. Hours are based on 10 mph (16Km/h) average.

Winch Warning:

The winch is installed as standard, please contact your SSR dealer for more information.

Maximum Winch Specs if the SSR option is not used:

12V/200Amp relay needed. Do not exceed a maximum rating of 3500lbs.

19. EMISSIONS CONTROL – SYSTEM WARRANTY

SSR MOTORSPORTS, LLC

EMISSION CONTROL SYSTEM WARRANTY

YOUR WARRANTY RIGHTS AND OBLIGATIONS

The emission control system warranty period for this vehicle begins on the date the vehicle is delivered to the first purchaser and each subsequent purchaser, or the date it is first used as a demonstrator, lease, or company vehicle, whichever comes first and continues for 30 months after that date, or 5,000 KM whichever comes first, provided there has been no abuse, neglect or improper maintenance of your vehicle. Where a warrantable condition exists, the Distributor will repair your vehicle at no cost to you, including diagnosis, parts and labor. If an emission-related part on your vehicle is defective, the part will be repaired or replaced by the Distributor. This is your emission control defects warranty.

OWNERS WARRANTY RESPONSIBILITIES

As the vehicle owner, you are responsible for the performance of the required maintenance. You should maintain a record of all maintenance performed on your vehicle and retain all receipts covering maintenance on your vehicle. You may not be denied a warranty claim solely because of your failure to ensure the performance of all scheduled maintenance or lack of maintenance records or receipts. You are responsible for presenting your vehicle to an authorized dealer as soon as a problem exists. The warranty repairs should be completed in a reasonable amount of time, not to exceed 30 days.

As the vehicle owner, you should be aware that you may be denied your warranty coverage if your vehicle or a part has failed due to abuse, neglect, improper maintenance, or unapproved modifications.

WARRANTY COVERAGE

The Distributor warrants that each new vehicle:

- Is designed, built, and equipped so as to conform at the time of ultimate retail purchaser with all applicable regulations of the United States Environmental Protection Agency, and the California Air Resources Board; and
- Is free from defects in material and workmanship which cause such vehicle to fail to conform to applicable regulations of the United States Environmental Protection Agency or the California Air Resources Board for the periods specified above.

19. EMISSIONS CONTROL – SYSTEM WARRANTY

Your emission control system warranty covers components whose failure would increase an engine's emission, including electronic controls, fuel injection system, carburetor, the ignition system, catalytic converter, or any other system utilized in this vehicle to control emission if it is originally equipped. Also included may be hoses, connectors and other emission-related assemblies. Replacing or repairing other components (including parts, labor, and other costs) not covered by this emission control system warranty or the standard warranty is the responsibility of the owner.

Coverage of repairs under this warranty applies only when repairs are completed at an authorized dealer or repair facility. The Distributor will not cover repairs performed outside of an authorized dealer or repair facility, except in an emergency situation. The use of replacement parts not equivalent to the original parts may impair the effectiveness of your vehicles' emission control system. If such a replacement part is used and an authorized dealer determines it is defective or causes a failure of a warranted part, your claim for repair to bring your vehicle into compliance with applicable standards may be denied.

If an emergency exists when a warranted part or a dealer is not reasonably available to the owner, repairs may be performed at any available service establishment, or by the owner, using any replacement part. The Distributor shall reimburse the owner for the expenses, including diagnostic charges, not to exceed the Distributor's suggested retail price for all warranted parts replaced and labor charges based on the Distributor's recommended time allowance for the warranty repair and the geographically appropriate hourly labor rate. The owner may reasonably be required to keep receipts and failed parts order to receive compensation.

The Emission Control System Warranty is in addition to the standard Limited Warranty.

EXCLUSIONS AND LIMITATIONS

This warranty does not cover the following:

- Failures or malfunctions of the emission control systems caused by abuse, alteration, accident, misuse, the use of leased gasoline.
- Replacement of expendable maintenance items unless they are original equipment defective in material or workmanship under normal use, and the first required replacement interval for the item has not been reached. Expendable maintenance items

19. EMISSIONS CONTROL – SYSTEM WARRANTY

include but not limited to spark plugs, filters, coolant, lubricants, gaskets, hoses, and belts.

- Replacements of parts and other service and adjustments for required maintenance.
- Any vehicle equipped with an odometer or hour meter where the reading is altered so that actual mileage cannot be readily determined.
- Repairs or replacements as a result of:
 - o Accident
 - o Misuse
 - o Use of replacement parts or accessories not conforming to the original specifications which adversely affect performance.
 - Physical damages, corrosions, or defects caused by fire, explosions or similar causes beyond the control of the Distributors.
 - Failures not caused by a defect in material or workmanship.

Use of the vehicle in any type of competitive racing or related events immediately and completely voids this and all other warranties.

LIMITED LIABILITY

The liability of The Distributor under this Emission Control System Warranty is limited solely to the remedying of defects in material workmanship by an authorized dealer at its place of business during customary business hours. This warranty does not cover in convenience or loss of use of the vehicle or transportation of the vehicle to/from the authorized dealer. The Distributor is not liable to any person for incidental, consequential or special damages of any description, whether arising out of express or implied warranty or any other contract, negligence or other tort or otherwise.

No express emission control system warranty is given by the Distributor except as specifically set forth herein. Any emission control system warranty implied by law, including any warranty of merchant ability or fitness for a particular purpose is limited to the express emission control system warranty terms stated in this warranty. The foregoing statements of warranty are exclusive and in lieu of all other remedies. All express warranties not stated in this warranty are disclaimed. Some states do not allow limitations on how long an implied warranty lasts, so

19. EMISSIONS CONTROL – SYSTEM WARRANTY

the above limitations may not apply if it is inconsistent with the controlling state law.

No dealer is authorized to modify this Emission Control System Warranty. If you have any questions regarding your warranty rights and responsibilities, you should contact SSR MOTORSPORTS, 12825 Alondra Blvd., Norwalk, CA 90650 TEL: 562-926-2888 or (for California registered highway vehicles only) the California Air Resources Board at 9528 Telstar Avenue, El Monte, CA 91731-8001.